



电缆桥架
Cable Tray

产品安装使用说明书
Product install run book

有能集团江苏威同电气设备有限公司
Uonone Group Jiangsu Weitong Electric
Equipment Co., Ltd

钢制电缆桥架简介 Introduction of cable tray

电缆桥架装置是由托盘或梯架的直线段、弯通、组件以及托臂、吊架等构成具有密接支撑电缆的刚性结构系统。

钢制电缆桥架是我公司吸取国内外同类产品的优点，采用先进的工艺加工而成，具有结构简单，形式灵活多样，价格便宜，安装便利等特点。是使用最多、应用最广的桥架。

钢制电缆桥架主要包括：梯级式电缆桥架，槽式电缆桥架，托盘式电缆桥架，电缆竖井，支吊架等。

Cable tray device by the cable ladder or cable tray in a straight line, bend of cable tray, as well as the components arm up, and so constitute a hanger with Tight-lock support of the rigid structure of the cable system.

Our company manufactures GDQJ general type by introducing the strong comings of same products home and abroad and adopting advance craft. It has advantages of simple structure, flexible form, low price, convenient installation. It is most widely used.

Cable tray Include: cable ladder, cable bridge trough, tray-cable bridge, cable shaft, Hangers, and so on.

电缆桥架的选择与安装 Selection and Installation of Cable Tray

一、适用范围 Application

系列电缆桥架适用与电压 40千伏以下的电力电缆，以及控制电缆，照明配线等室内，室外架空，电缆沟，隧道的敷设。

Cable trays apply to the indoor and outside layout of Power cable, Control cable and lightning line 40kV below.

二、结构特点与安装 Structure characteristic and installation

系列电缆桥架具有品种全，应用广，强度大，结构轻，造价低，施工简单，配线灵活。安装标准，外形美观的特点，对您处的技术改进，扩充电缆，维护检修带来方便。

Cable trays have many advantages such as complete categories, wide application, high tension, light, low price, and easy installation, flexible, standard and beautiful appearance. It is convenient for your technical improvement. Cable enlarge and maintenance.

系列电缆桥架的安装可因地制宜。可随工艺管道架空敷设；楼板，梁下吊装，室内外墙壁，柱壁，隧道，电缆沟壁上的侧装。还可以在露天立柱或支墩上安装。大型多层桥架吊装或立装时，应尽量采用工字钢立柱两侧对称敷设。

Cable trays can suit measures to local conditions. They can be installed along with pipes or hanged under floor or beam. They can also be installed at the sides of wall, pillar, and tunnel indoor and outside. When many layers of cable trays are hanged and erected, they can be layer by two sides of I-beam Pillars.

系列电缆桥架可水平、垂直敷设；可转角、T字形、十字形分支。可调宽、调高、变径。

Cable trays can be laid horizontal, vertical and be rise with angle, T or cross branches. The height, width and diameter can be adjusted.

三、电缆在电缆桥架上的层次安排 The layer arrangement of cable tray for cables

1. 电缆桥架层次排列应是弱电流控制电缆在最上层，接着一般控制电缆，低压动力电缆，高压动力电缆依次往下排列。（见下页表）这种排列有利于屏蔽干扰，电力电缆冷却，方便施工。

The upper layer can place weak current cable, Then control cable by layer, this means it can avoid shield and the cooling of power cable. It is also convenient to install cable tray.

四、电缆桥架横截面和帮高（边高）选择

To select section and side height of cable tray

1. 横截面的选择 To select section

$$SD = n_1 \pi d_1^2/4 + n_2 \pi d_2^2/4 + \dots + n_n \pi d_n^2/4 (\text{mm}^2)$$

$$S = K S_D / \eta$$

式中 SD——电缆截面积 (mm²) SD-total section area of cable (mm²)

n₁、n₂... n_n ——同型号规格电缆根数 n₁、n₂... n_n-Cables of same specification.

d₁、d₂... d_n ——同型号规格电缆直径 d₁、d₂... d_n-Cables of same specification Dia.

S ——托盘、梯级等横截面积 (mm²) S-section area of tray or ladder cable tray.

层次 Layer	电缆类别 Cable Categories	配套电缆桥架的名称 Names of cable Tray	备注 Addition
上 Up	弱电类电缆 Weak Current Cable	带护罩的槽式、托盘式 Channel type & tray type with covers	不同组别的电缆之间应加设隔板 Barriers shall be placed between different groups of cable
	一般控制电缆 Control Cable	托盘式、槽式、梯级式 Tray type, Channel type and ladder type	
下 Down	低压动力、照明电缆 LV Power cable & Lightning cable	梯级式、托盘式、槽式 ladder type, Tray type and channel type	
	高压动力电缆 LV Power cable	带护罩的梯级式、托盘式 ladder type, & tray type with covers	

K ——余量系数，取 1.10~1.25； k-Allowance coefficient 1.10~1.25

η ——填充率，动力电缆取 45% -50%，控制电缆取 50% -70%

η Packing rate: Power cable 45% -50%, Control cable 50% -70%.

2. 帮高(边高)选择 To choice the height of side cable tray

非梯式桥架帮高(边高)H值确定原则：

To ascertain the laying of side non-ladder cable tray(H)

a、对于动力控制电缆敷设不得超过帮高(边高)的 2/5;

Control cable laying height 2/5 of the height of side;

b、对于动力电缆敷设不得超过帮高(边高)的 2/3.

Power cable laying height 2/3 of the height of side.

梯式桥架的帮高(边高)确定为:按上述原则确定的 H值为 25mm(即 H+25mm):

To ascertain the height of side of ladder cable tray: The above-mentioned H+25mm.

注意:当电缆根数过多时,可采用多层桥架敷设;电缆根数较少时,不通性质的电缆可以在同一桥架内敷设,但中间要隔板隔开。

Notice: When cables are too mush, several layers can be laid; When cables are few, different specifications cables can be Laid at the same cable tray. However barrier shall be placed between them.

各层电缆桥架层间距为 **The distance between layers**

控制电缆 $\geq 200\text{mm}$ **Control $\geq 200\text{mm}$**

动力电缆 $\geq 300\text{mm}$ **Power $\geq 300\text{mm}$**

机械化敷设电缆 $\geq 400\text{mm}$ **Mechanical erection cable $\geq 400\text{mm}$**

五、载荷等级选择 **To choice loading capacity**

1、所选托盘,梯架的承载能力应满足工作均布载荷小于额定均布载荷。如果实际跨距不等于 2m或者有附加集中载荷时,应根据下式换算成等效工作均布载荷。

Average loading capacity tray type and ladder type cable trays shall be lower then rated average loading capacity. If practical span is equal to 2m of there is additive loading, the average loading as follows.

$Q_p = 2P/L$ 式中 P-附加集中载荷 (n)

P additive loading (n)

L—跨距 (m); L--span (m)

Q_p ——等效均布载荷值

Q_p average loading value

2. 实际工程中,特殊载荷条件如超重,大跨距的情况是经常碰到的,其支、吊装,托盘,梯架型式可由用户提出详细图,也可以委托公司设计,验证但必须满足强度,刚度,稳定性要求。

Special loading conditions such as over loading of big span etc, often occur. The drawing about support hanger, tray and ladder type are supplied by users. Our Company can also design for users. But we must meet tension, rigid and stability requirements. If all files are supplied by users, We will not be responsible of the fault of loading problem. The loading files about cable tray, hanger, and bracket of this brochure are supplied for your reference.

六、表面处理选择 **To choice surface treatment**

电缆桥架是薄壁结构件，为使其能适应不同的环境要求和有较长的适用寿命，我公司对电缆桥架的表面处理工艺做了大量的工作，如镀锌工艺，产品经酸洗，碱洗，水洗。钝化。镀化，再钝化，使镀锌层的里面和表面都形成一层高质量的钝化膜，其抗腐蚀能力可提高5-8倍，特别是对热浸锌工艺的改进使热浸锌桥架其表面质量符合美国、加拿大、等国家的先进标准，其在沿海地区的使用寿命能超过 40年。

Cable tray is made of this steel plate. In order to fit different environments requirements, our company has done a lot of work about surface treatment. For example, galvanizing technology: after the products have passed the procedures of acid pickling, alkali pickling, water cleaning, inactivating, zinc-plating, a high quality, inactivating, zinc-plating, rein activating, a high quality purified thin coating will be formed on the surface and in the layer of zinc-plating. Then the anti-corrosion capacity of cable tray is improved 5-8 times more. Especially the improvement of hot galvanizing technology makes the surface treatment quality of our factory conform to American & Canadian standards. The cable tray of our factory can be used for more than 40 years in the coastal areas.

各表面处理特性及指标如下：

Surface treatment characteristics and technical indexes:

1、 电缆桥架热浸镀锌层特性及技术指示

Characteristics and technical indexes of hot galvanizing cable tray.

(1) 热浸镀锌层重量及厚度，符合美国 NEMA.VEI标准与美国依巴斯柯公司（EBASCO）电缆托盘规范的规定。

Weight and thickness of hot galvanizing layer, which conform to American NEMA.VEI Standard and American EBASCO Cable tray stipulations.

材料规格 Material's specifications	重量 (克/米 ²) Weight(g/m ²)	厚度 (微米) Thickness(μm)
钢制结构件厚度 ≥5mm Steel frames Thickness <5mm	610 458	85 65
螺栓连接件直径 ≥10mm Bolts & nuts diameter <10mm	381 305	54 43

(2)、镀锌层附着力符合美国 ASTM.A153-80《钢铁零件热浸镀锌技术规范》中的撬剥法及锤击法的要求。

Galvanizing layer adhesion conform to the Hot Galvanizing Technical Stipulations of steel parts of ASTM.A153-80.

(3)、镀锌层均匀性符合 GB 3091-82 《低压流体输送用镀锌焊接钢管》或美国 ANSI.C.80.1.1997 《刚性钢导管镀锌规范》中的“硫酸铜浸渍法”规定。

Well distribution of galvanizing layer conforms to Zinc-plating Welding Steel pipe of Low Pressure Liquid conveyance of GB 3091-82 Standard or Zinc-plating stipulation of Rigid steel pipe of American ANSI.C.80.1.1997

(4) 镀锌层防腐性能参见镀锌层平均腐蚀速度试验数据。

Anti-corrosion performance of galvanizing layer refers to test figures of average corrosive speed.

日本镀锌协会大气暴露试验数据

Open Air Test Figures of Japan Zinc-Plating Association

	400克/米 ² (g/m ²)		400克/米 ² (g/m ²)		400克/米 ² (g/m ²)	
	腐蚀速度克/米 ² .年 Corrosive speed g/m ² .annual	耐用年限 Life	腐蚀速度克/米 ² .年 Corrosive speed g/m ² .annual	耐用年限 Life	腐蚀速度克/米 ² .年 Corrosive speed g/m ² .annual	耐用年限 Life
重工业地区 Heavy industry area	31.1	11.6	32.8	13.7	31.1	17.4
海岸地区 Coastal area	12.4	29.0	12.5	36.0	12.3	43.9
郊区地区 Rural area	7.1	50.7	7.2	62.5	6.7	80.6
城市地区 Urban area	15.7	22.9	16.0	28.1	15.9	34.0

注：表内资料引自日本《电工工业》1977-6

Note: Above data has been cited from in 《Electrical Equipment Industry》 1977-6
国内试验数据

Domestic Test Figures

大气环境 Air Environment 腐蚀速度 Corrosive speed	上海杨树浦工业气候 (户外) Shanghai yangshuPu Industry Climate (Outside)	广州市城郊气候(户外) GuangZhou Rural Area Climate (Outside)	海南岛榆林海洋气候(户外) Hainan Island Yulin Sea Climate (Outside)
钢构件镀锌平衡腐蚀速度克 / 米 ² .年 Steel parts' Galvanizing g/m ² annual corrosive speed	23	37	47

镀锌层厚度 (附着量)	桥架构件 Parts of cable tray		$\geq 12 \mu\text{m}$ (84g/m ²)
Galvanizing layer Thickness	螺栓 Bolts	$\geq \text{M14}$ M8-M12 $\geq \text{M6}$	$\geq 12 \mu\text{m}$ (84g/m ²) $\geq 9 \mu\text{m}$ (63g/m ²) $\geq 6 \mu\text{m}$ (42g/m ²)
表面钝化处理 Surface Inactivation Treatment	经钝化后, 应有良好的钝化膜 (白色、彩虹色) After having been in activated, the layer has fine in activation coating (white, rainbow)		
镀锌层附着力 Galvanizing Layer Cohesion	划线、划格法试验锌层不应起皮剥离 The layer does not peel by scratch test.		
外观 Appearance	锌层表面应光滑均匀、致密、不得有起皮、气泡、花斑、局部未镀、划伤等缺陷 Galvanizing layer surface is smooth, even, delicate without Peeling, bubble, scratch, spot		

注: 上述资料引自国防工业出版社《电镀手册》

Note: Above data has been cited from in 《Galvanization manual》

2、电缆桥架电镀锌技术质量指标 Galvanizing technical quality index of Cable tray

涂料 Paint项目 Item	环氧树脂粉末 Epoxy resin	聚酯粉末 Polyester powder
厚度 Thickness (μm)	≥ 60	≥ 60
附着力级 Cohesion	2	2
冲击强度 J Impact Tension (kgf.cm)	≥ 5 (≥ 50)	≥ 3 (≥ 30)
柔韧性 (mm) Pliable & tough	≤ 2	≤ 3
边角覆盖率 (%) Edge Cover rate	≥ 30	≥ 30
外观 Appearance	均匀光滑、不起泡、无裂纹、色泽均匀一致 Even and Smooth without bubble, crack colours are well distributed	

注: 电镀锌后钝化桥架表面形成钝化膜, 将明显提高防腐寿命 .

Note: After inactivating the film of cable tray surface is formed, the life of anti-corrosion will be rised.

3、电缆桥架喷涂粉末技术质量指标 Technic quality indexes of cable tray spray powder.

我公司桥架表面处理可分为喷涂、镀锌、镀锌加喷涂、热浸锌、镀锌镍、热喷锌, 对各自的性能和特点进行比较列表如下:

Surface treatment of our cable tray has six ways (spray, zinc-plating, zinc-plating with spray, hot galvanizing, Nickel zinc-plating, zinc-plating). The six ways have different performances as follow

类别 Sort项目 Item	喷涂 spray	镀锌 zinc-plating	镀锌加喷涂 zinc-plating with spray	热浸锌 hot galvanizing	镀锌镍 Nickel zinc-plating	热喷锌 zinc-plating
外观 Appearance	很好 Very good	好 Good	很好 Very good	一般 Normal	很好 Very good	很好 Very good
表面处理变形 Surface Treatment Deforming	不 No	不 No	不 No	变形 Deforming	不 No	不 No
环境要求 Environment demand	室内、常温、干燥 Indoor & dry, Normal temperature	室外、轻腐蚀 Outside, light anti-corrosion	室外、高温、潮湿 Outside wet high temperature	室外、重腐蚀 Outside, heavy corrosion	室外、重腐蚀 Outside, heavy corrosion	室外、重腐蚀 Outside, heavy corrosion
使用寿命 (年) Life (year)	10	12	14	>40(镀锌 80μm)	>30	>30
价格 Price	一般 Normal	一般 Normal	较高 Fairly night	较高 Fairly night	较高 Fairly night	较高 Fairly night

七、支、吊架配置

1、桥架均布载荷与支、吊架跨距的平方成反比。例如，在跨距 $L=2m$ 时，额定均布载荷为 q_E ，当桥架实际的跨距 L_G 不等于 $2m$ 时，工作均布载荷 q_G 应满足： $q_G \leq q_E (L/L_G)^2$ 。若实际跨距为 3、4、5、6m,,,时代入上式得：

The uniform load of cable tray is inverse ratio with span of bracket or hanging support. For example, the span of supports is $L_G=2m$, rated uniform load is q_E . When $L_G 2m$. Working uniform load is $q_G q_E(L/L_G)^2$

$$q_G \leq q_E (L/L_G)^2$$

According the equation. $L_G = 3, 4, 5, 6m$. we get the following result:

$$3m; q_G \leq 0.44q_E \quad 4m; q_G \leq 0.25q_E \quad 5m; q_G \leq 0.16q_E \quad 6m; q_G \leq 0.11q_E$$

可见，支吊架跨距越大，托盘、梯架的承载能力越小，用户和设计单位在选用时一定要注意，不要仅着重选择桥架的跨距度而忽视了桥架的承载计算。

From above calculating: the longer span of support, the less load of cable tray. Customers select not only the span of cable tray, but also to pay attention the load of cable tray.

2、在确定支、吊架跨距时，除满足工作均布载荷小于或等于额定均布载荷之外，还要满足相对挠度小于或等于 $L/200$ 。

To determine the span of cable tray supports, besides to meet the uniform load less or equal rated uniform load, but also to meet the deflection (in unit) Less or equal $L/200$.

八、注意事项 Matters Needing

1、系列电缆桥架的最大载荷、支撑间距应小于允许载荷和支撑跨距。

The maximum load, span of supports cable tray must be less allowable load and span of supports.

2、桥架的安装应以国家规范为准，目前可参照《电缆桥架安装图集 86S D169》进行。桥架在安装过程中严禁载人，如现在场情况确定有必要时，必须有安全保障设施方可载人，本事项对于不合格或非专业的操作人员尤为重要。

The installation of cable tray must comply with the national standard, at the present time, to abide by the installation drawing 86 SD169 leaf lets. When installation. to carry people by cable tray is forbidding. If necessary, to ensure the safety measures, in this situation, allowing to carry people. It is important to nonprofessional operating workers.

3、桥架的立柱、托盘等支架可与基础预埋件焊接固定，也可采用膨胀螺栓固定，对于现场焊接处一定要做好防腐处理，通常由用户现场涂刷防腐漆。

The bracket and vertical column of cable tray will be installed by welding or expansion bolt of the basement, the welding place treatment will be done by painting.

4、系列电缆桥架水平敷设时，桥架间的对接处距支承点距离应在跨距的 1/4 以内，对于大跨距桥架最好放在支承架上对接，在有弯通或三通的地方则需单独增加支承点，垂直方向的托臂每隔 1.5m 设一固定点。

When cable tray be installed in horizontal position, the distance from connection point of cable tray to support must be in 1/4 span, the connection ideal point of cable tray is in the support. There is a place of elbow or Tee tray. It is necessary to add the support or bracket. The distance between brackets in vertical direction is 1.5m.

5、桥架内的电缆应用电缆卡带、或金属电缆卡子进行分组固定。对于水平敷设的电缆通常每隔 2m 左右作一固定点；对于垂直敷设的电缆应每隔 1~1.5m 固定一次，在改变标高的端部也应予以固定。

Cable in the tray will be fixed by cable band. The cable band may be metal material. When cable tray in horizontal position, the distance of the fixed point is 2m. In vertical position, the distance is 1 or 1.5m. The level of cable tray is changed, also in the change point, the cable must be fixed.

6、电缆桥架按电力施工规范要求应进行良好接地，对于镀锌电缆桥架无须有专门接地装置，其本体即可作为接地干线；对于表面进行非金属处理的桥架必须有专门的接地装置；桥架的接地线可用 VV (4~16mm²) 电缆或等截面的铜编织线，该线通常由用户自备，如由本公司供货，则应在合同中注明，长距离的电缆桥架每隔 30~50m 接地一次。

According to < Electrical Construction Rules >, cable tray will be well grounded, to zinc-plating cable tray, the cable tray body is good grounding trunk, to non-metal treatment of cable tray surface, they must have a special grounding device. the

grounding wire is to use VV (4~16mm²) cable or the same section copper braid wire, in the long distance cable tray grounding point is in every 30-50m once again. In general the grounding wire will be purchased by our customer, If be supply by our company. Please note in contract.

7、本说明书给出的桥架及附件在保证使用性能不受影响的前提下，本公司有权对其结构进行修改。

We guarantee the properties of cable tray and it's accessories given by this manual. At this condition, we will change cable tray structure. without notice.

GDQJ	钢制桥架 Steel cable tray	LQJ	铝合金桥架 AL. alloy cable tray
WBJF C	防火桥架 Fire prevention cable tray	BHQ	玻璃钢桥架 Fiberglass cable tray

九、电缆桥架型号编制说明 Compile Introduction of Cable Tray Type

1、桥架系列代号 Codes of lists of cable trays

2、大跨距型桥架代号(非大跨距桥架无本代号) Codes of wide span cable trays(other's are no code)

TJ-普通大跨距桥架 Normal wide span cable tray

DJ-重载型大跨距桥架 Heavy load wide span cable tray

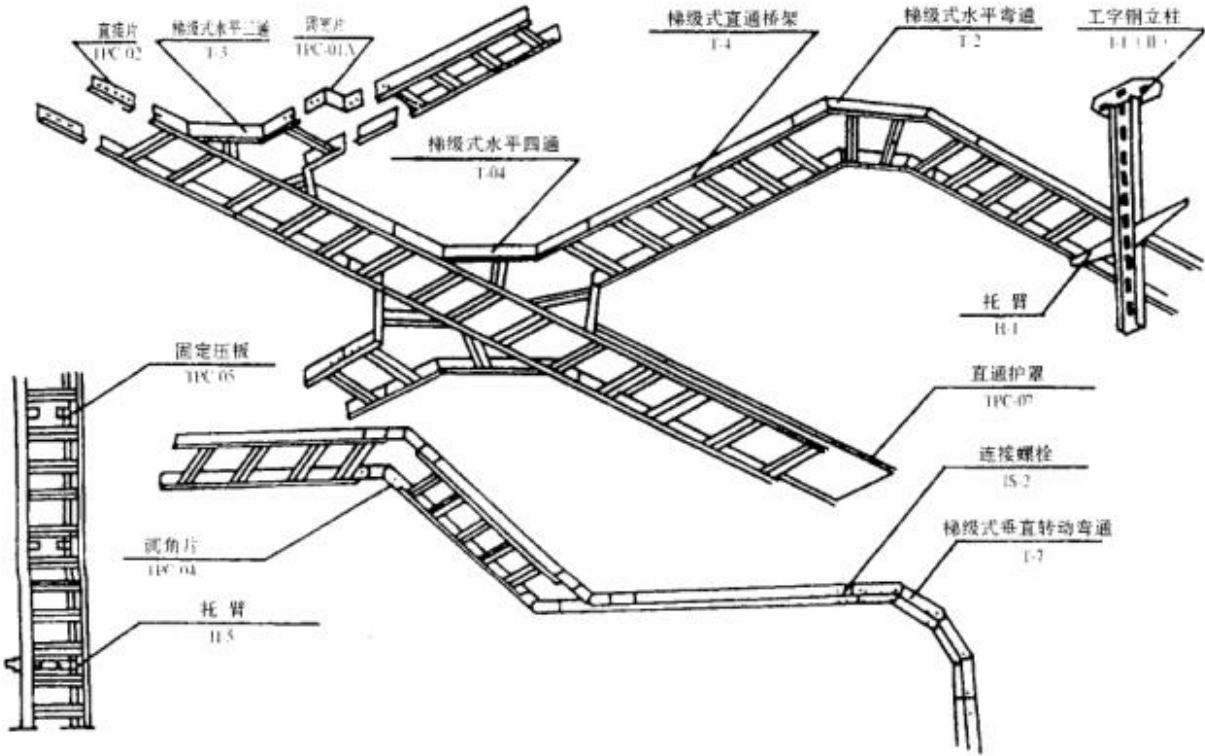
3、型号代号 Type codes

T-梯级式桥架 Ladder type cable tray

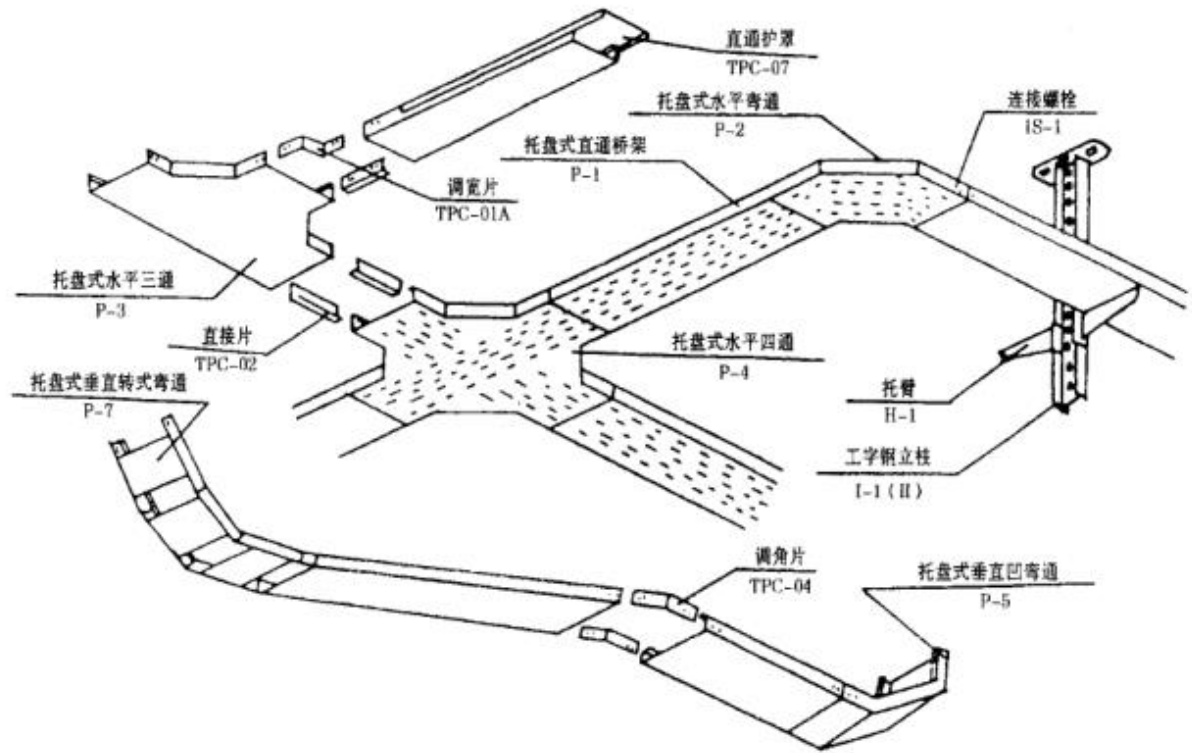
P-托盘式桥架 Tray type cable tray

C-槽式桥架 Channel type cable tray

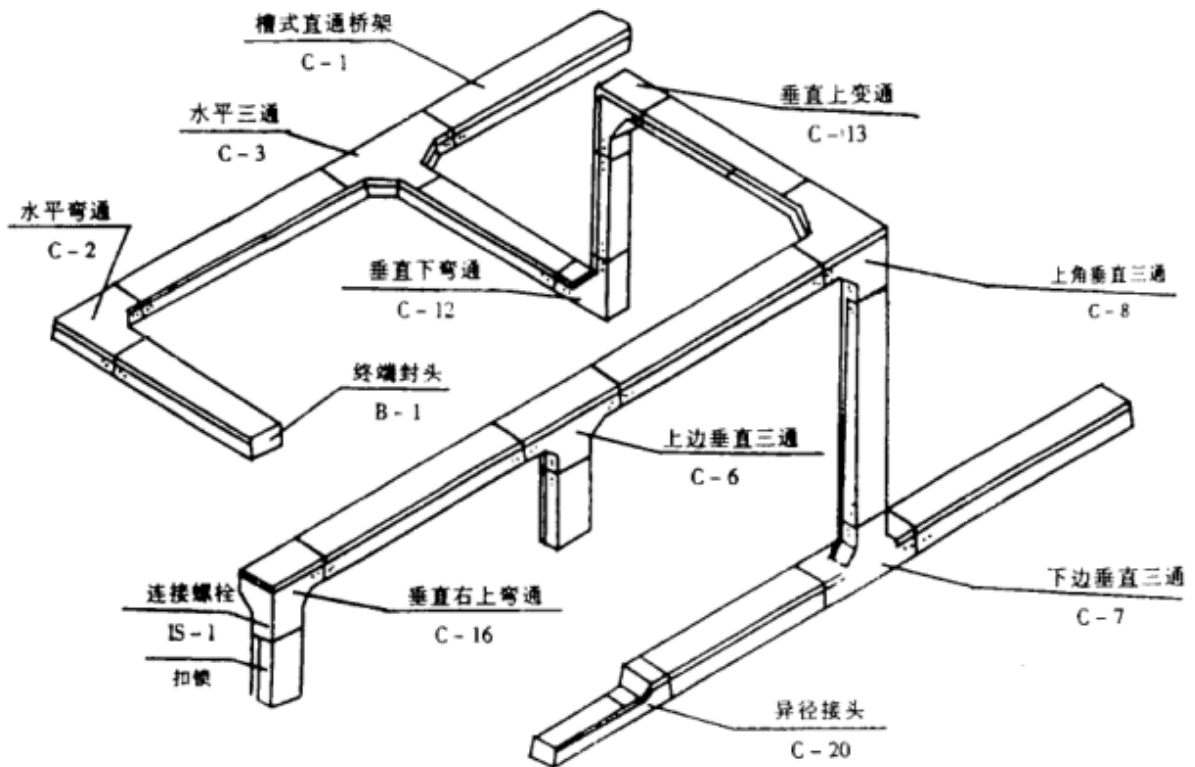
梯级式桥架空间布置示意图
Schematic diagram of ladder type cable tray layout



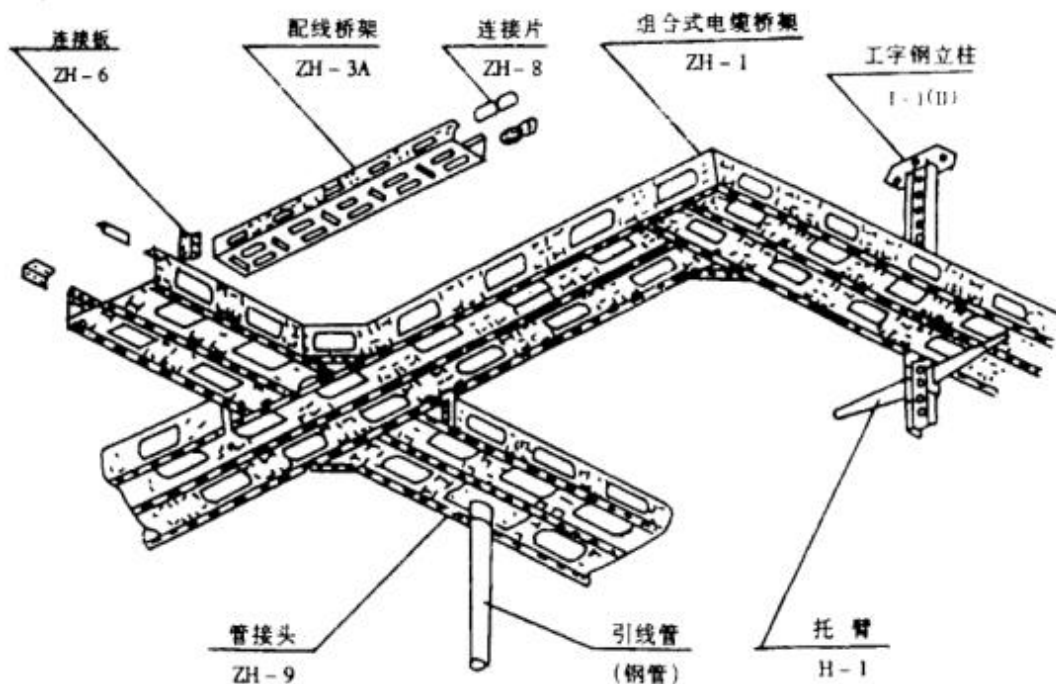
托盘式桥架空间布置示意图
Schematic diagram of cable tray layout



槽式桥架空间布置示意图
Schematic diagram of channel type cable tray layout



组合式桥架空间布置示意图
Schematic diagram of Combined type of cable tray layout

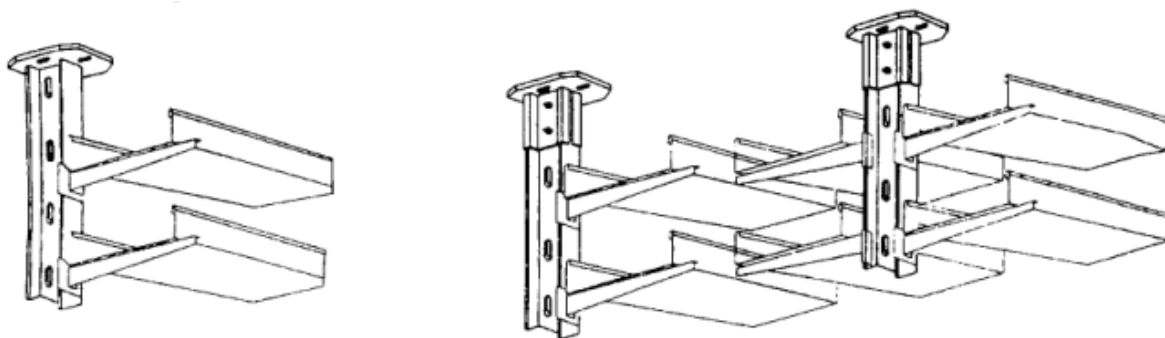


工字钢立柱安装示意图

GDQJ-I-1 工字钢立柱可根据需要安装成悬挂式、直立式、倾臂式悬吊等安装形式。一般与 GDQJ-H-1 托臂配套使用。

Schematic diagram of I-beam column

The GDQJ-I-1 column can be installed into I-beam suspension type, vertical type, arm type suspension installation tilt. The use of general matching with GDQJ-H-1.



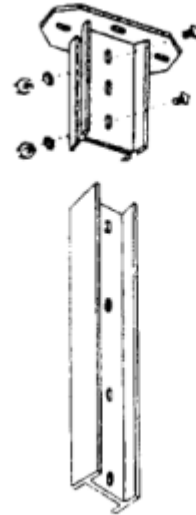
工字钢立柱底座安装示意图

GDQJ-I-6 底座用于直立工字钢的支承连接，安装时先用膨胀螺栓或预埋螺栓固定好底座，后用 M12*40 六角螺栓紧固。

base

GDQJ-I-6 base for erect I-steel supporting connection, installation with expansion bolts or pre buried bolt fixed base. After using M12*40 hexagon bolt fastening.

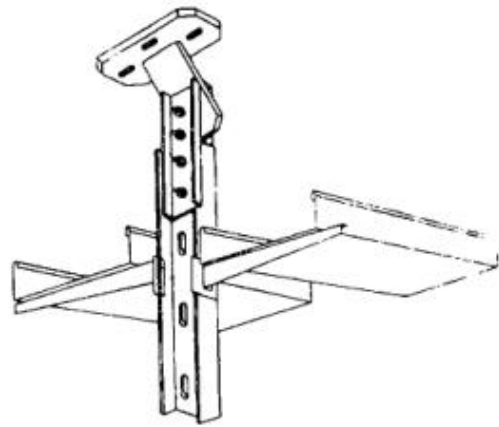
Schematic diagram of steel column



工字钢倾斜底座安装示意图

GDQJ-I-9 倾斜底座用于倾斜过梁安装，也可紧固在墙壁作倾斜支撑用。

I-beam inclined base installation diagram
GDQJ-I-9 inclined base for tilting lintel installation, can also be used for fastening tilt support on the wall.

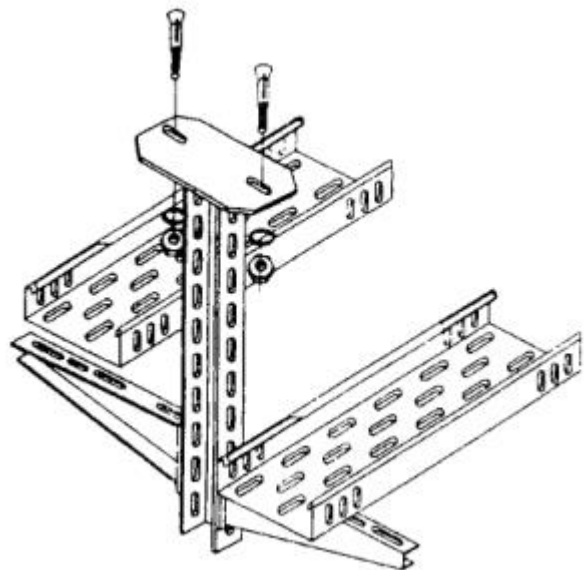


槽钢立柱安装示意图

GDQJ-I-3 槽钢立柱可根据需要安装成悬挂式、直立式、倾臂式悬吊等安装形式。一般与 GDQJ-H-4 托臂配套使用。

Schematic diagram of channel steel column

The GDQJ-I-3 channel steel column can be installed into a suspension type, vertical type, arm type suspension installation tilt. The use of general matching with GDQJ-H-4.

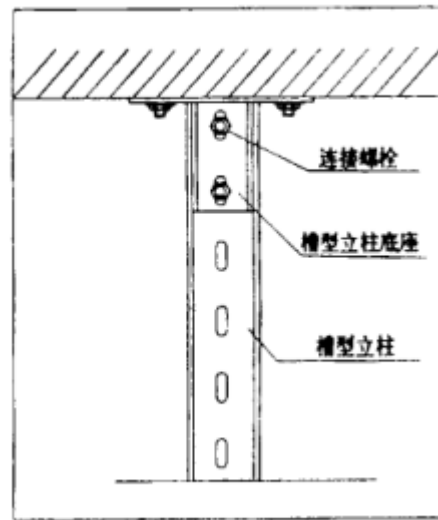


槽钢立柱底座安装示意图

GDQJ-I-7 底座可与 I-3 槽钢立柱, I-5 异型立柱配套, 可作吊装电缆或垂直引上、下用。

Schematic diagram of steel column base

GDQJ-I-7 base column and I-3 channel, I-5 shaped column can be used for supporting, hoisting cable or vertical drawing, guided by.

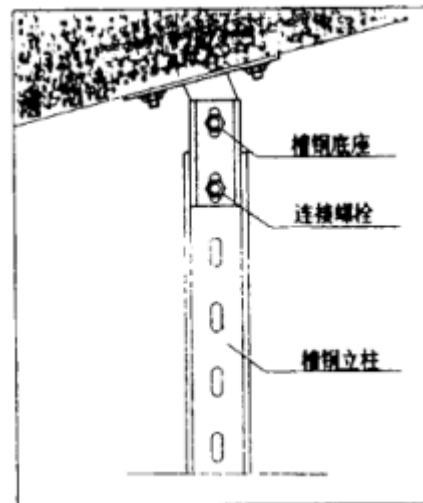


槽钢倾斜底座安装示意图

GDQJ-I-10 倾斜底座用于倾斜过梁安装, 也可紧固在墙壁作倾斜支撑用。

Steel inclined base installation diagram

GDQJ-I-10 inclined base for tilting lintel installation, can also be used for fastening tilt support on the wall.

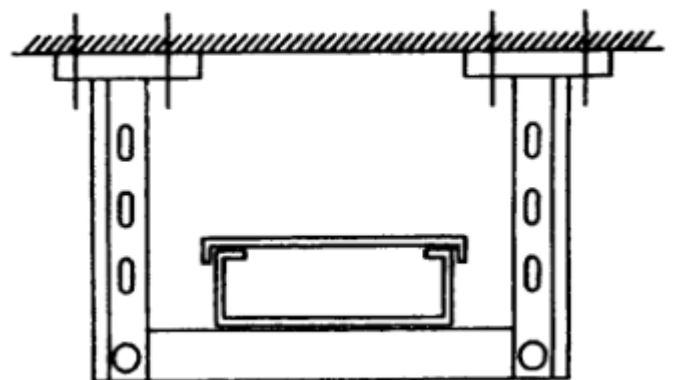


角钢立柱安装示意图

GDQJ-I-4 角钢立柱可用作轻载荷单边吊装立柱。一般与 GDQJ-H-4 托臂配套使用, 或如图所示 H 型吊装。

Schematic diagram of steel column

The GDQJ-I-4 column can be used as a light load angle of unilateral lifting column. General matching with the GDQJ-H-4 arm, or as shown in figure H lifting.



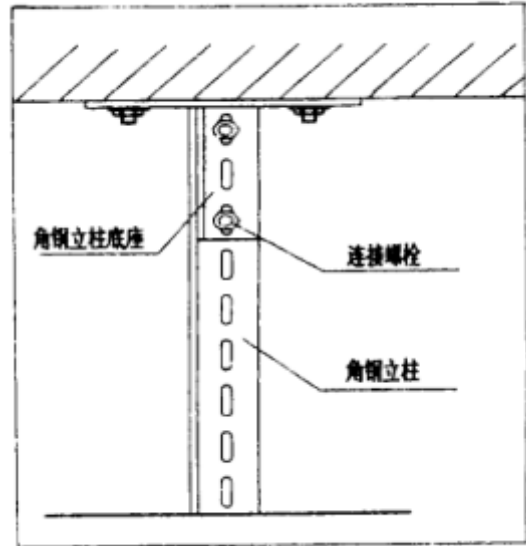
角钢立柱底座安装示意图

GDQJ-I-8 底座可与 I-4 角钢立柱, I-2 丁字

钢立柱配套。可作吊装桥架用。

Schematic diagram of steel column base
GDQJ-I-8 base column and I-4 angle, I-2

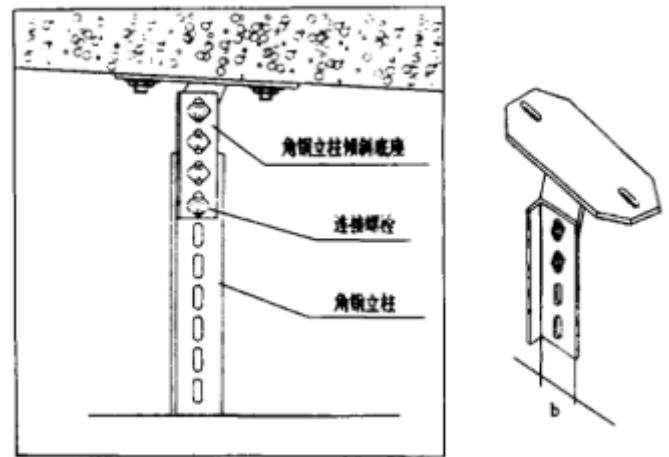
shaped steel column supporting. Can be used for lifting bridge used.



角钢倾斜底座安装示意图

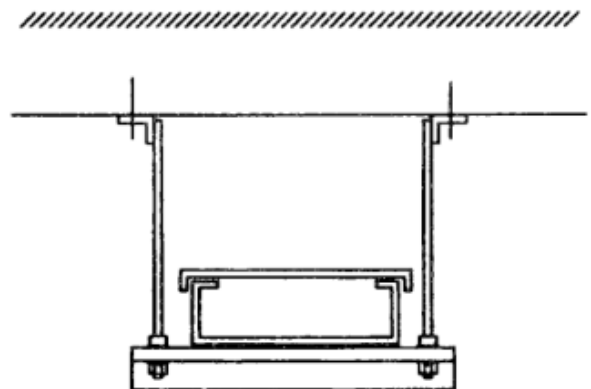
GDQJ-I-11 倾斜底座用于倾斜过梁安装, 也可紧固在墙壁作倾斜支撑用。

Tilt angle base installation diagram
GDQJ-I-11 inclined base for tilting lintel installation, can also be used for fastening tilt support on the wall.



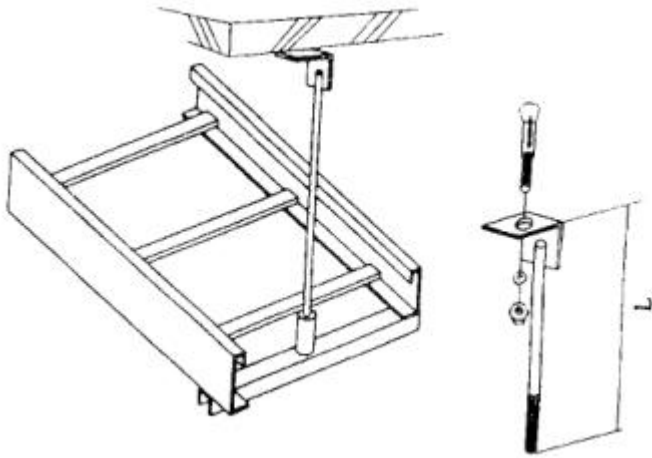
双吊杆横担安装示意图

Schematic diagram of the installation of double derrick



单吊杆安装示意图

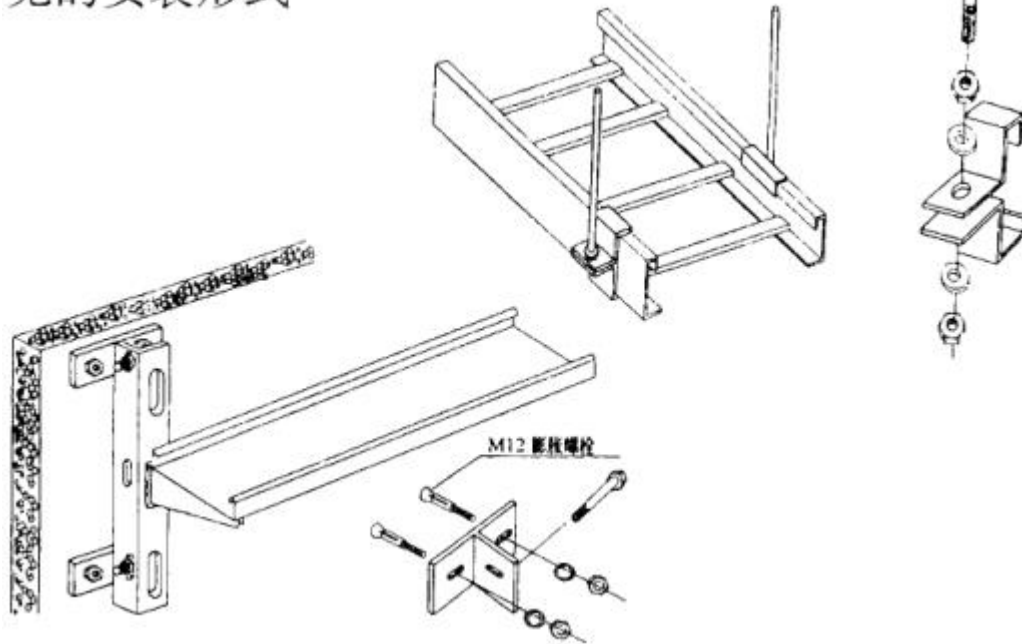
Schematic diagram of single boom installation

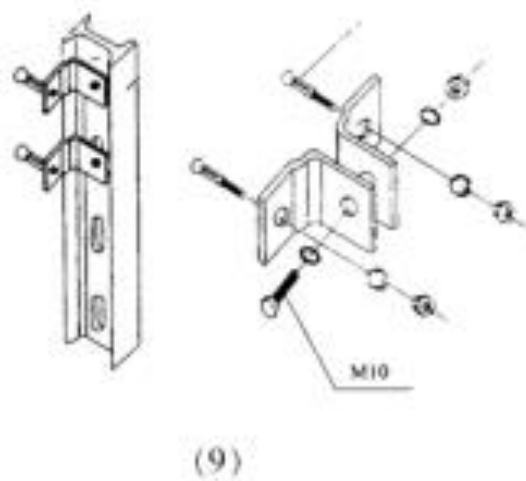
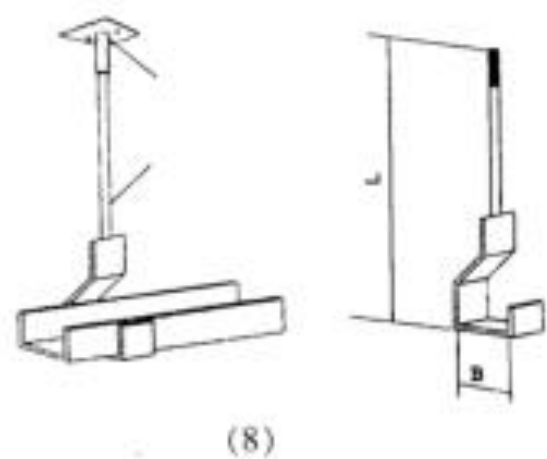
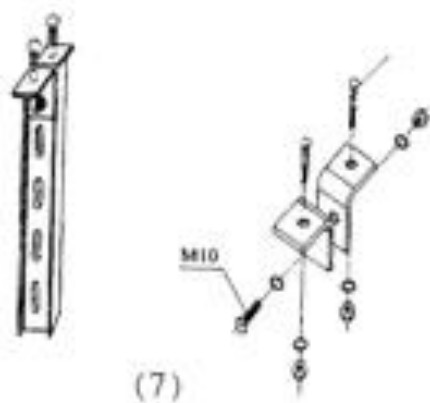
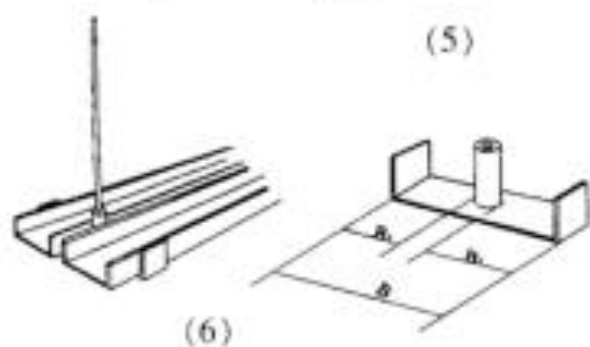
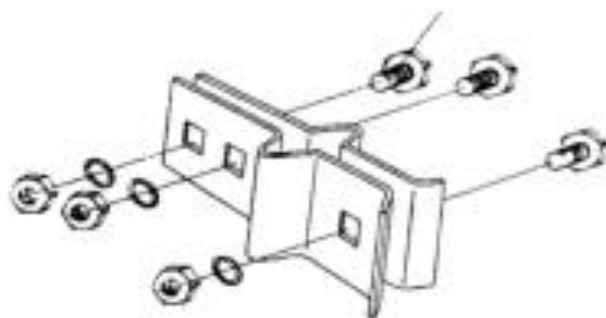
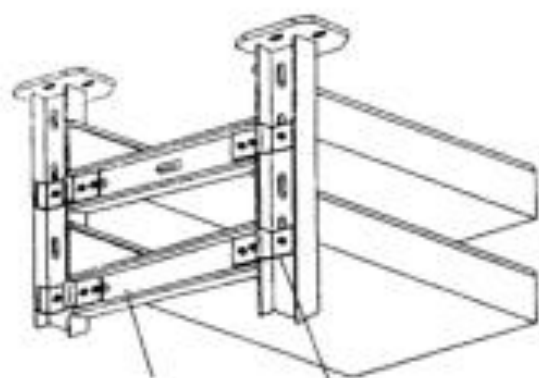
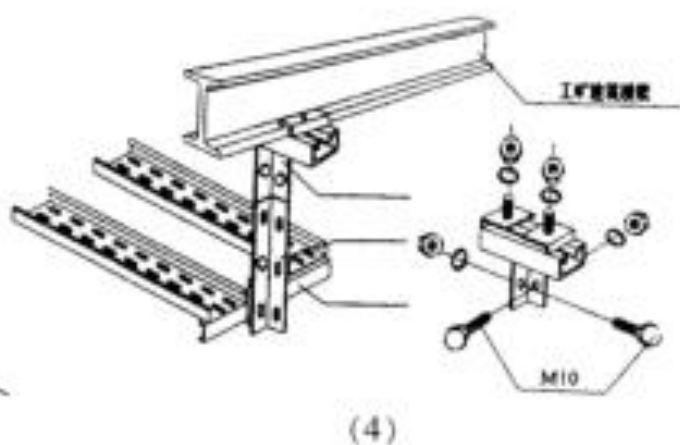
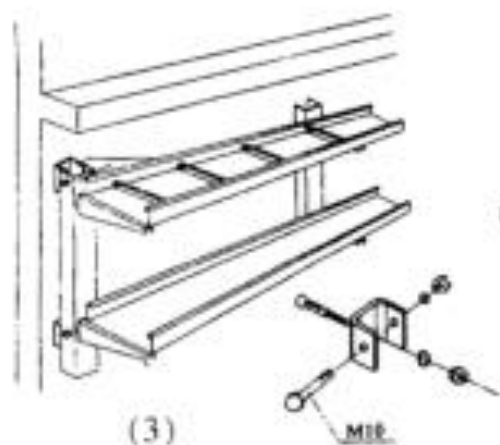


其它几种常见的安装形式

Several other common forms of installation

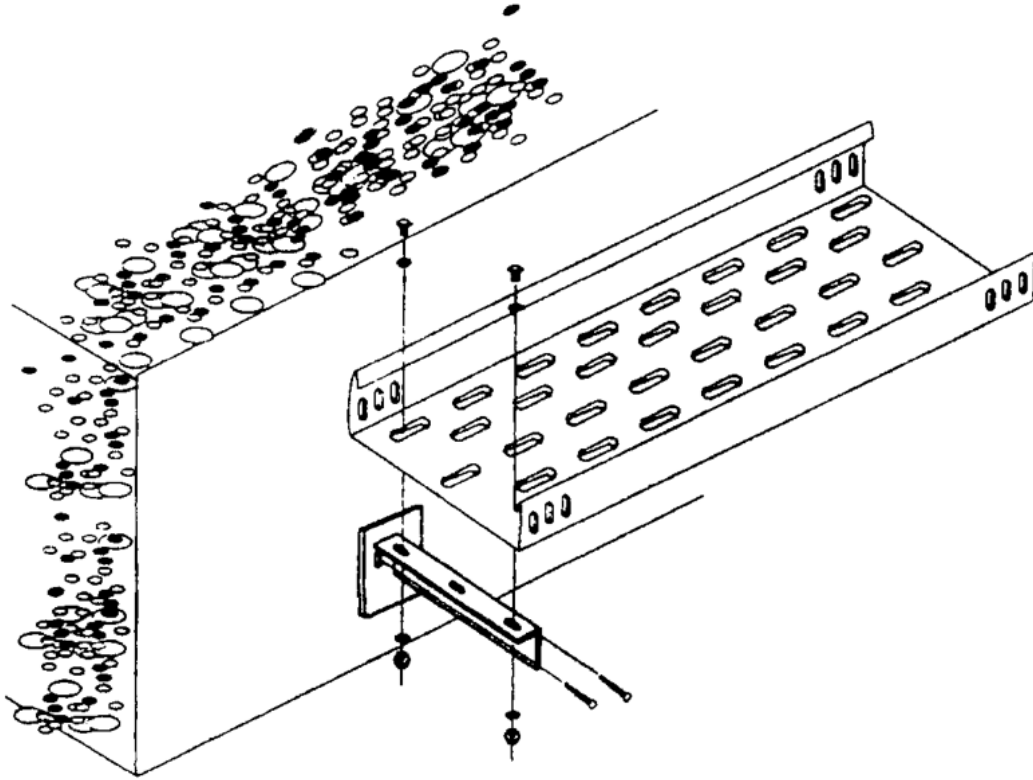
吊杆的几种形式





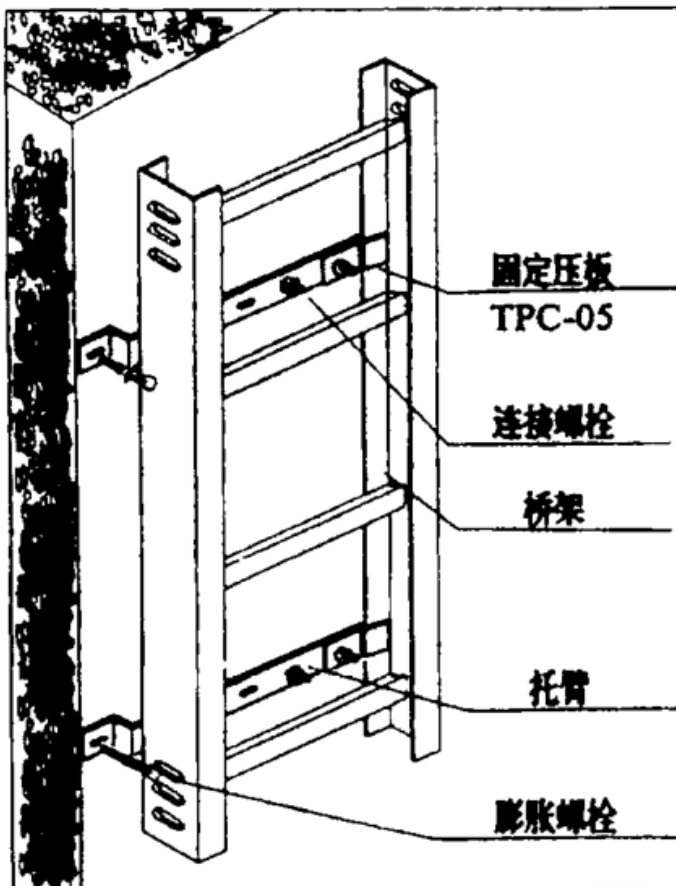
GDQJ-H-2 托臂安装示意图

The installation diagram of GDQJ-H-2 bracket



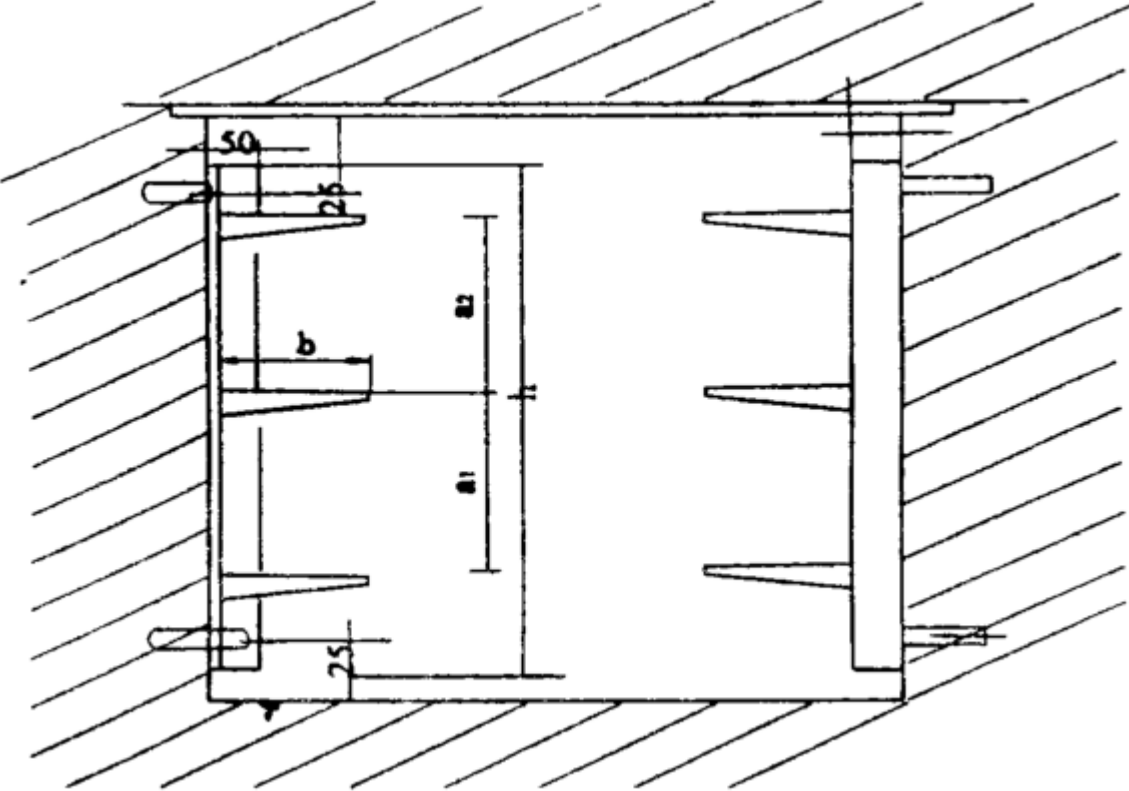
GDQJ-H-5 托臂安装示意图

The installation diagram of GDQJ-H-5 bracket



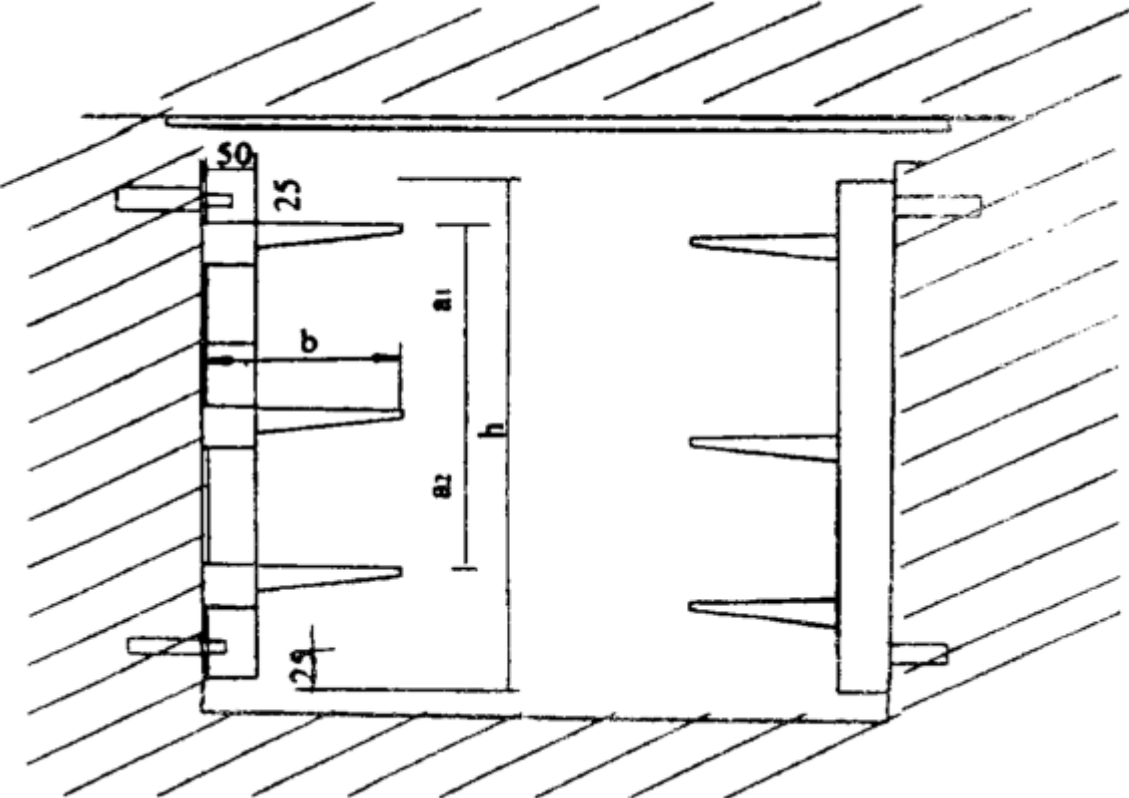
桥架在电缆沟内的安装（一）

The bridge installed in cable trench (one)



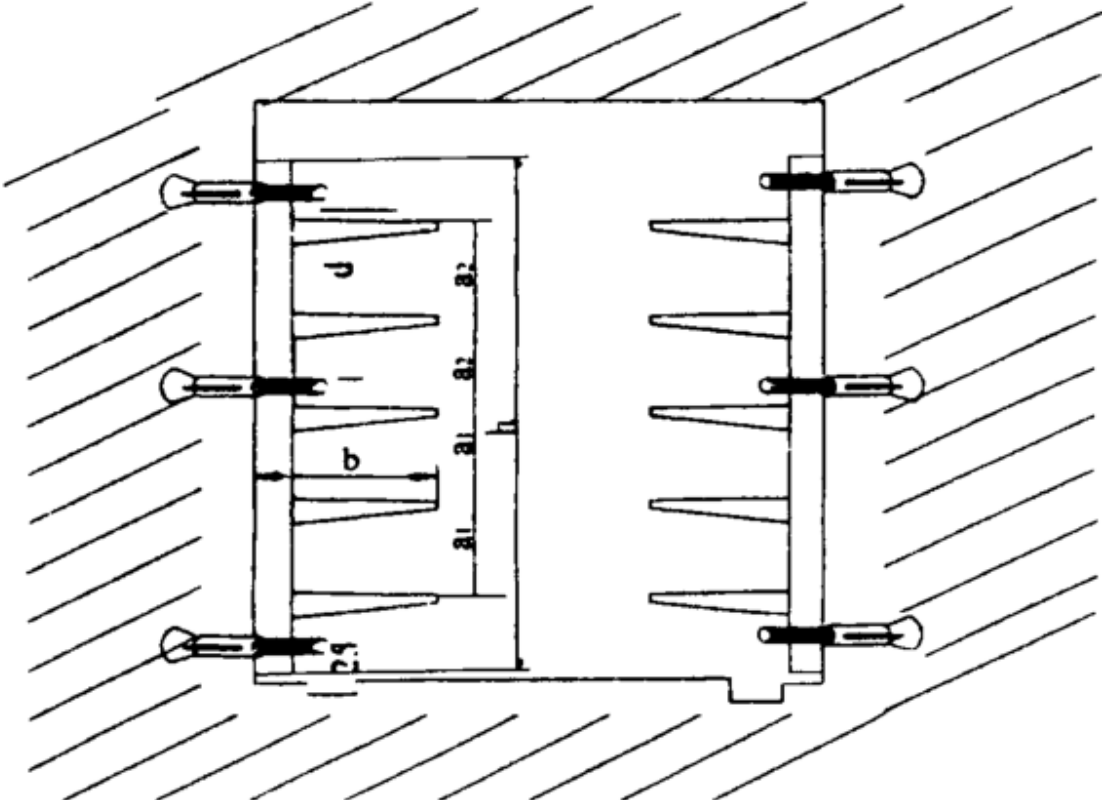
桥架在电缆沟内的安装（二）

The bridge installed in cable trench (two)



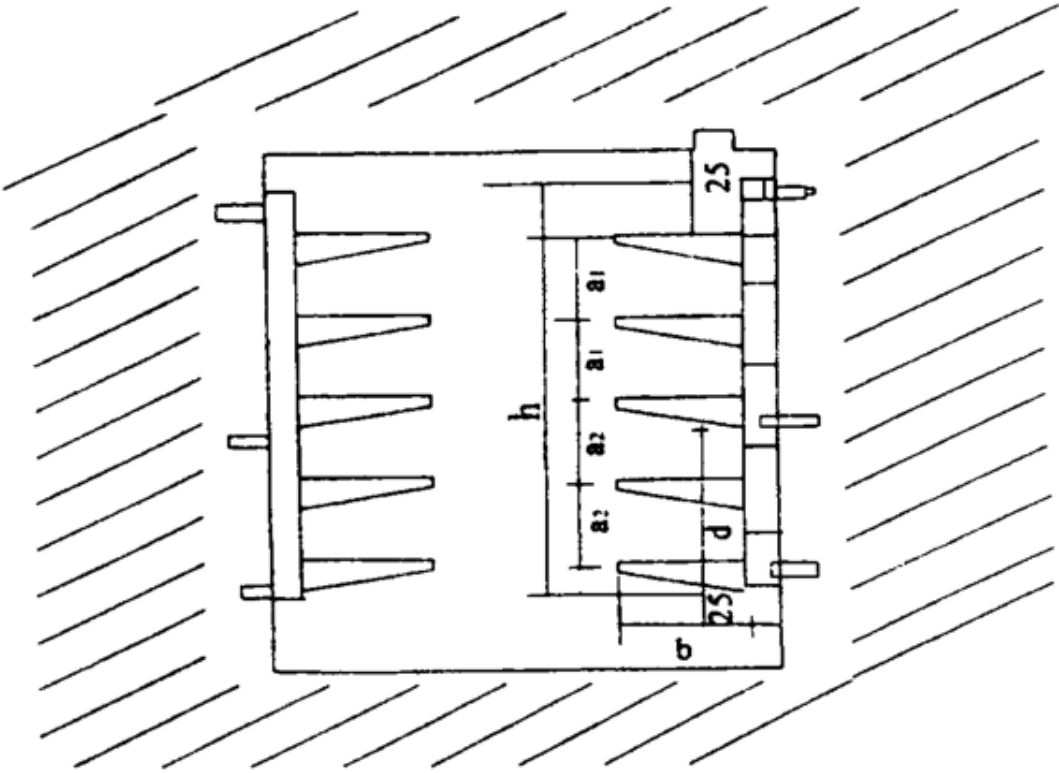
桥架在电缆沟内的安装（三）

The bridge installed in cable trench (three)



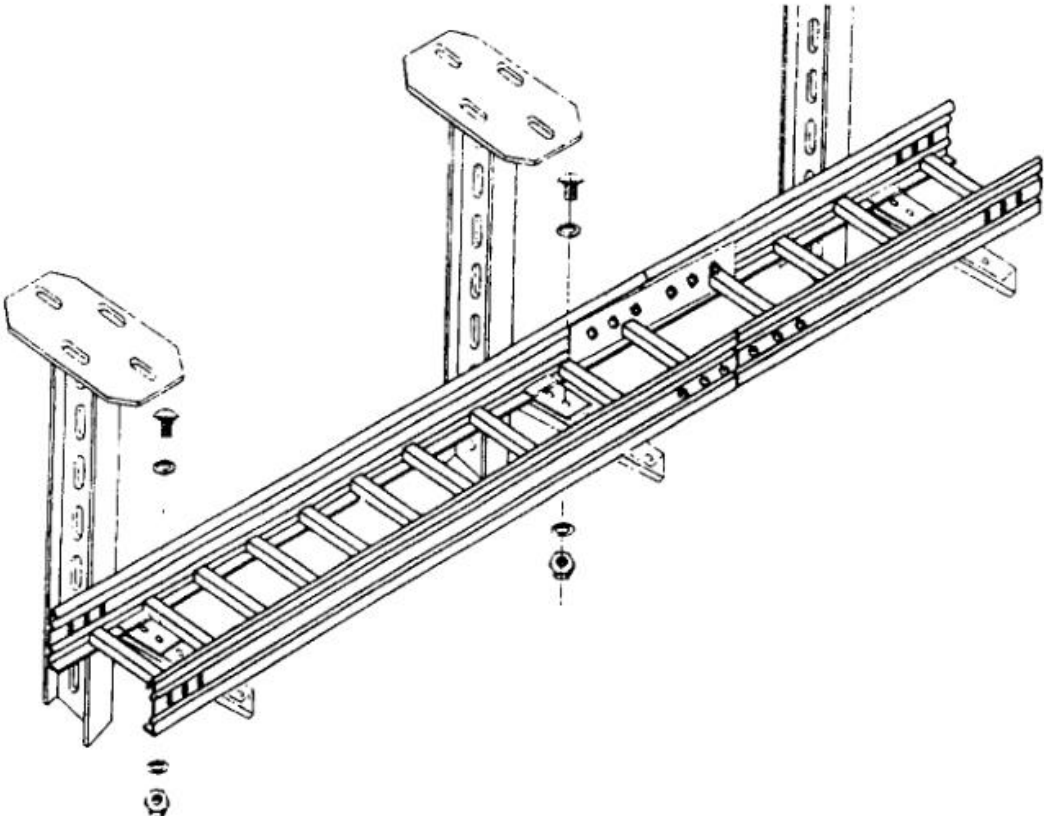
桥架在电缆沟内的安装（四）

The bridge installed in cable trench (four)



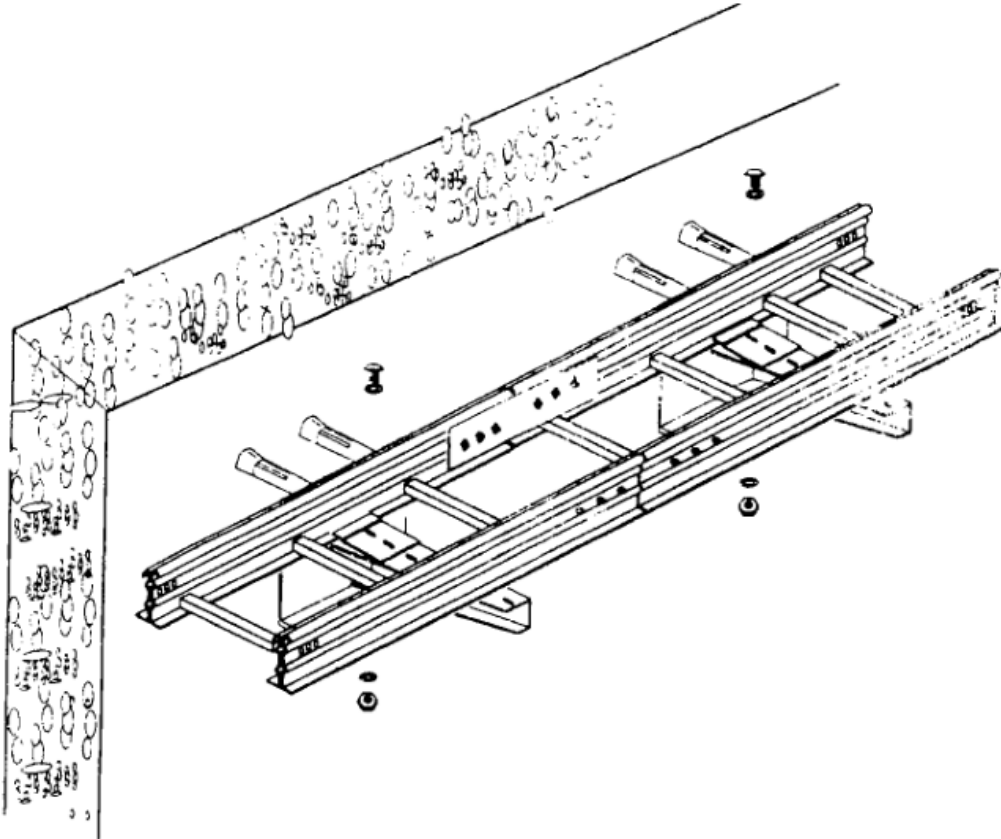
大跨距梯级式桥架安装示意图

The installation diagram of large span of ladder type of cable tray



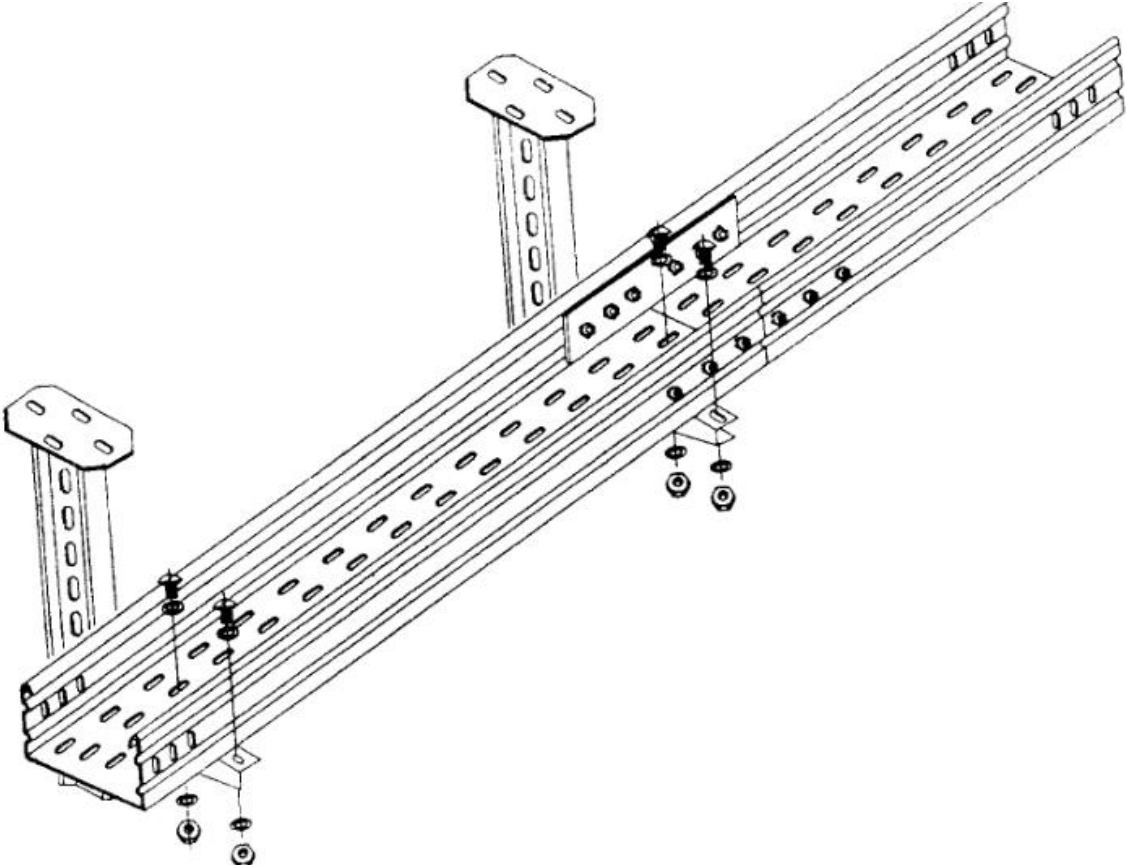
大跨距梯级式桥架安装示意图

The installation diagram of large span of ladder type of cable tray



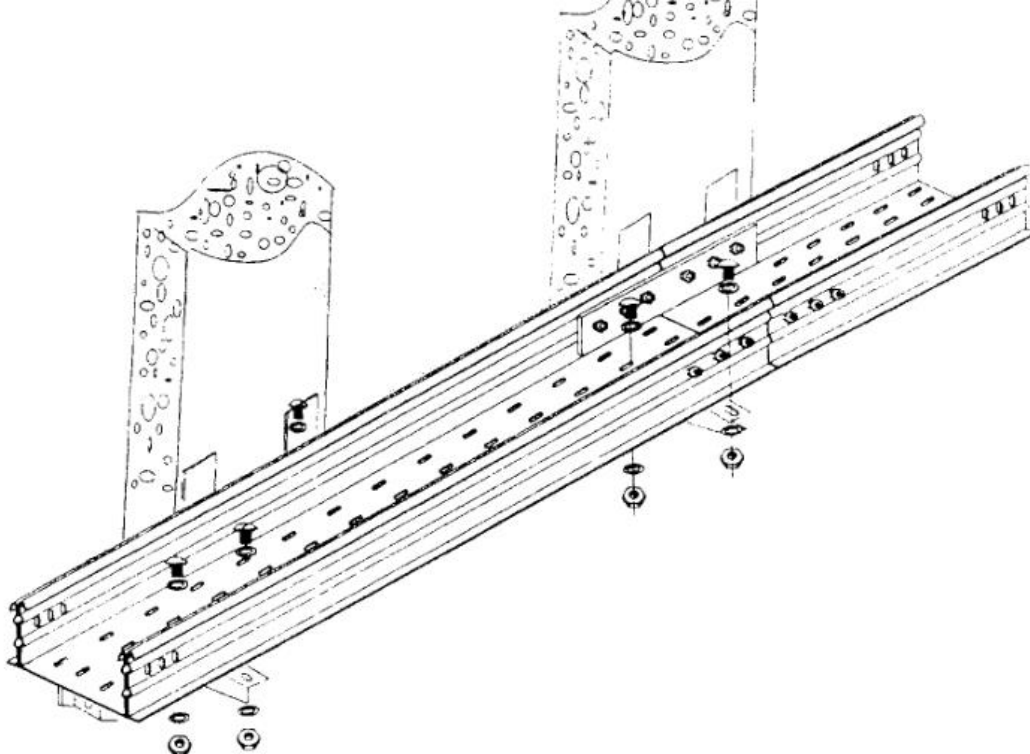
大跨距托盘式桥架安装示意图

The installation diagram of large span of cable tray



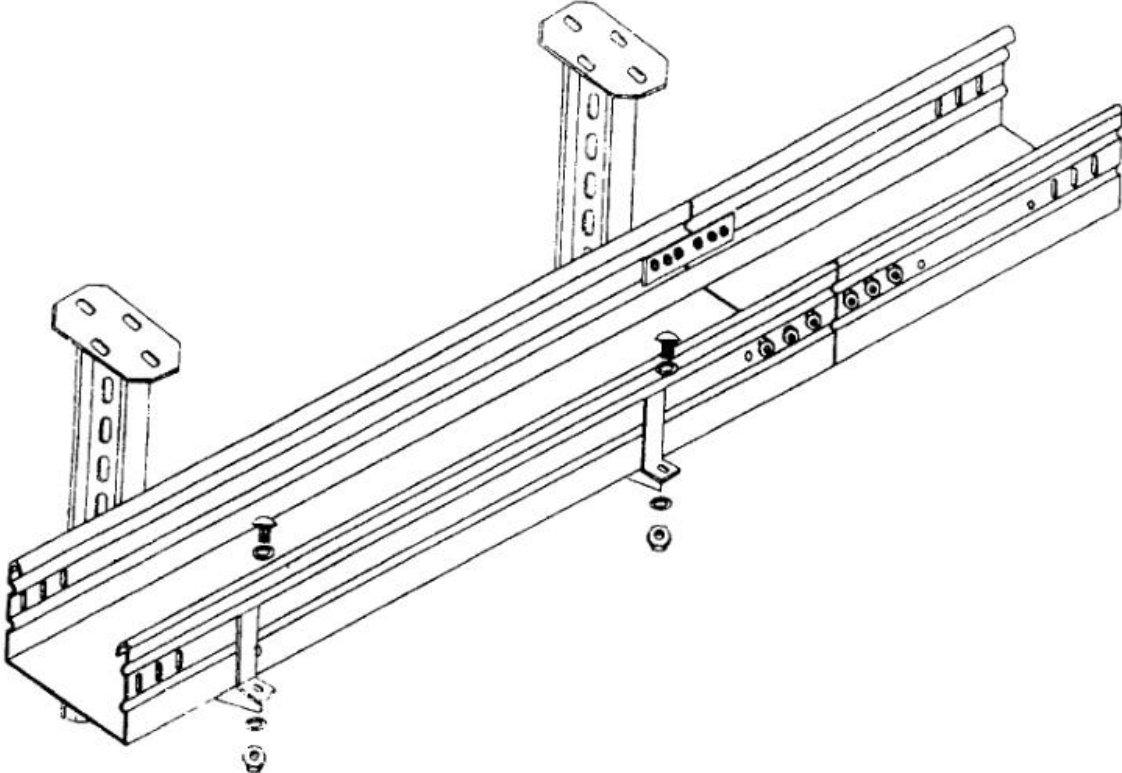
大跨距托盘式桥架安装示意图

The installation diagram of large span of cable tray



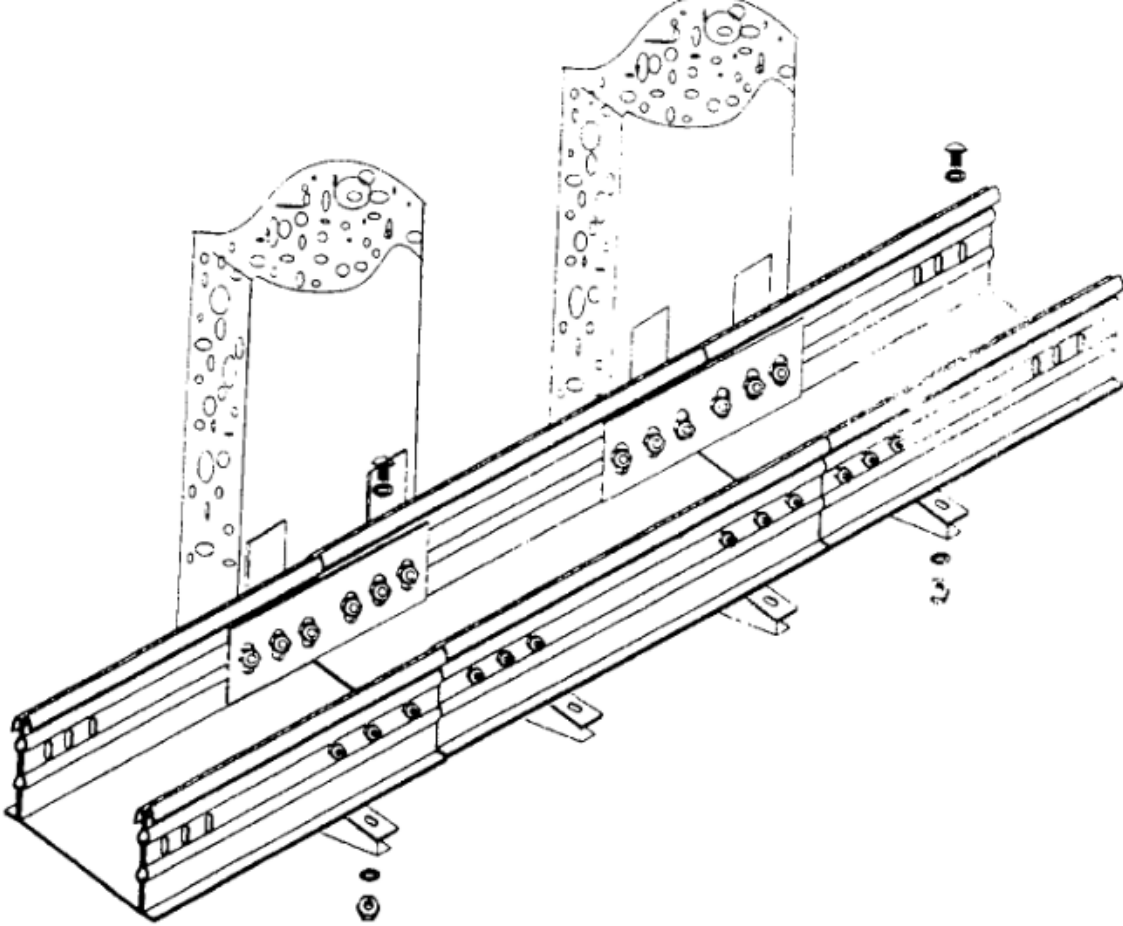
大跨距槽式桥架安装示意图

The installation diagram of large span of channel type of cable tray



大跨距槽式桥架安装示意图

The installation diagram of large span of channel type of cable tray



以槽式桥架为例，其他型式桥架按此安装方式进行

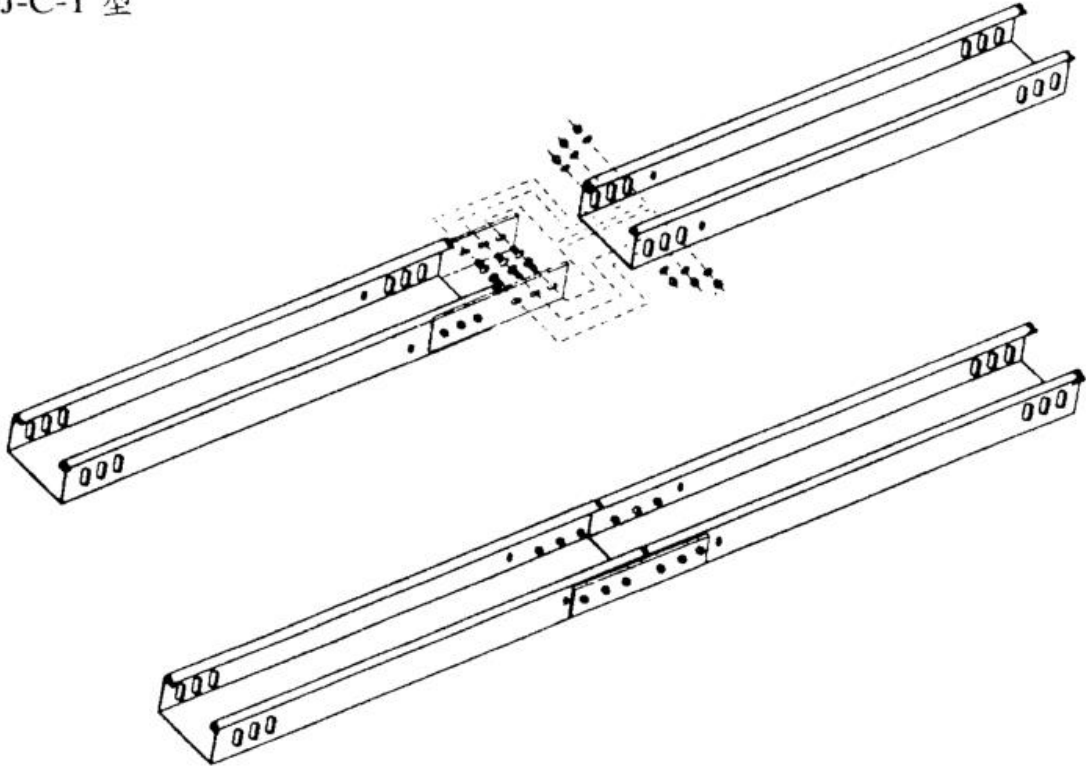
1、槽式直通桥架安装示意图

型号：GDQJ-C-1 型

The trough type bridge as an example, to other types of bridge according to the installation
1, The installation diagram of the channel type cable tray.

Type: GDQJ-C-1 type

J-C-1 型

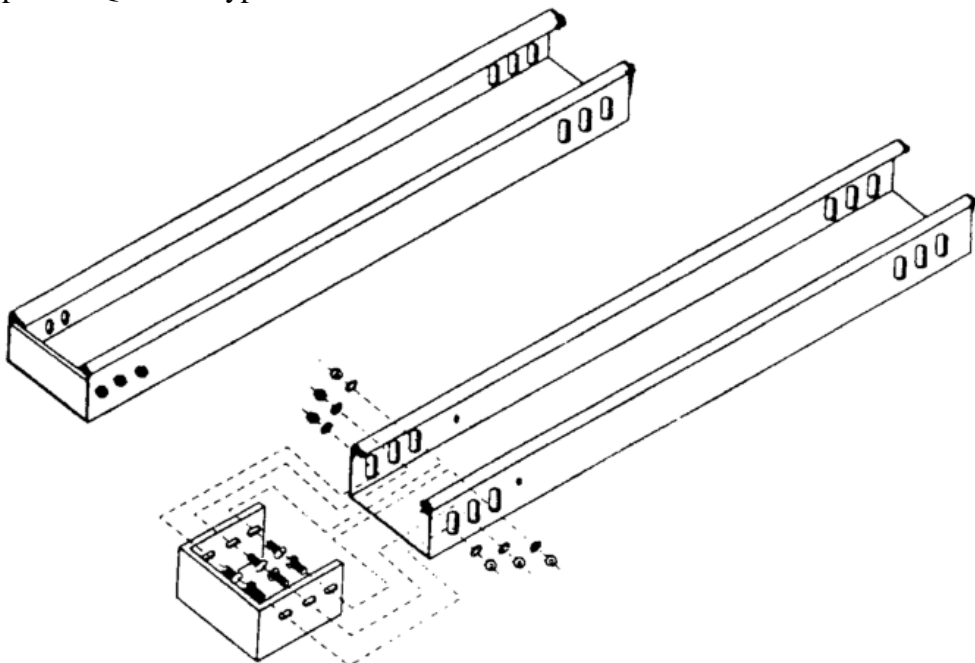


2、终端封头安装示意图

型号：GDQJ-C-1F 型

2, the installation diagram of the terminal head schematic

Type: GDQJ-C-1F type

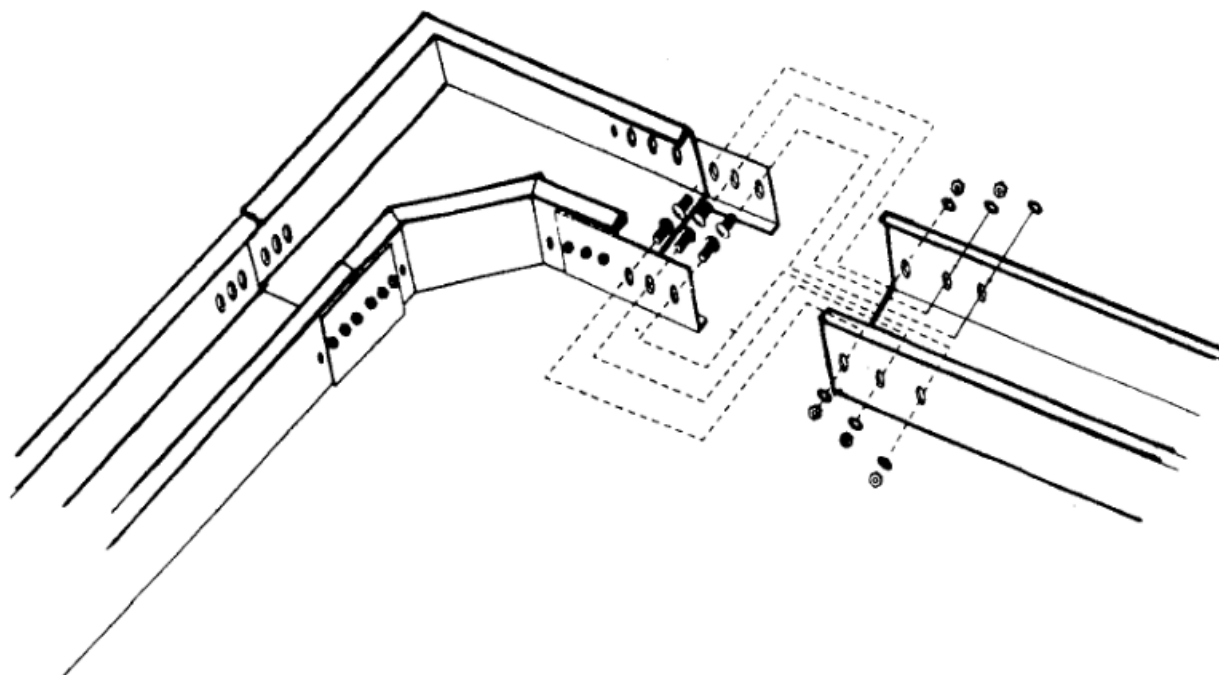


3、槽式水平弯通安装示意图

型号：GDQJ-C-2 型

3, the installation diagram of the channel type horizontal bend

Type: GDQJ-C-2 type

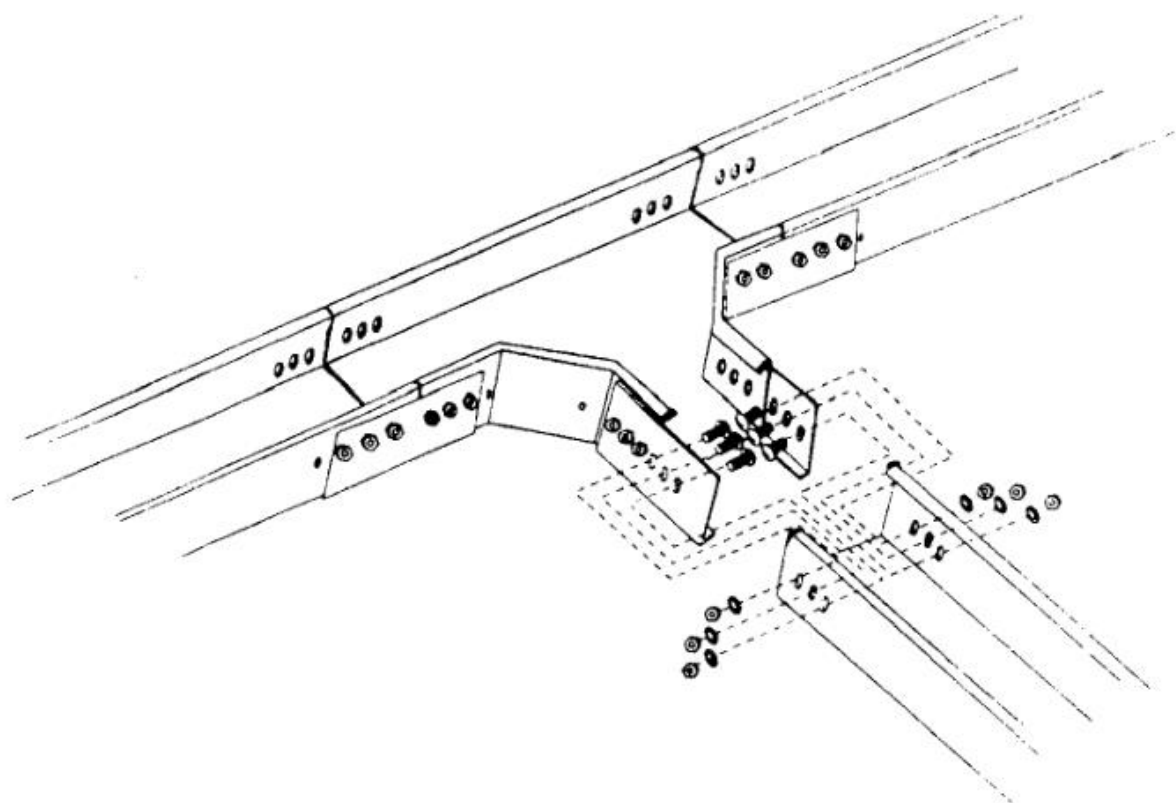


4、槽式水平三通安装示意图

型号：GDQJ-C-3 型

4, the installation diagram of the channel type horizontal tee

Type: GDQJ-C-3 type

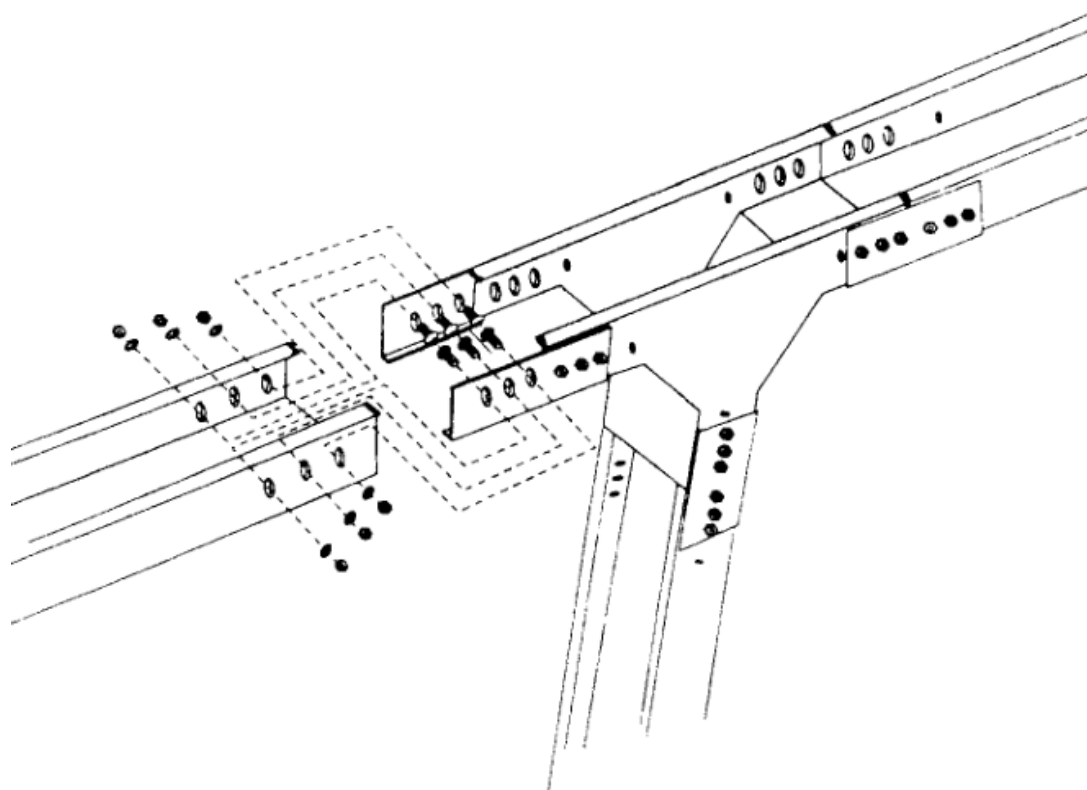


5、槽式上垂直三通安装示意图

型号:GDQJ-C-6 型

5, the installation diagram of the channel type upward Vertical three pass

Type: GDQJ-C-6 type

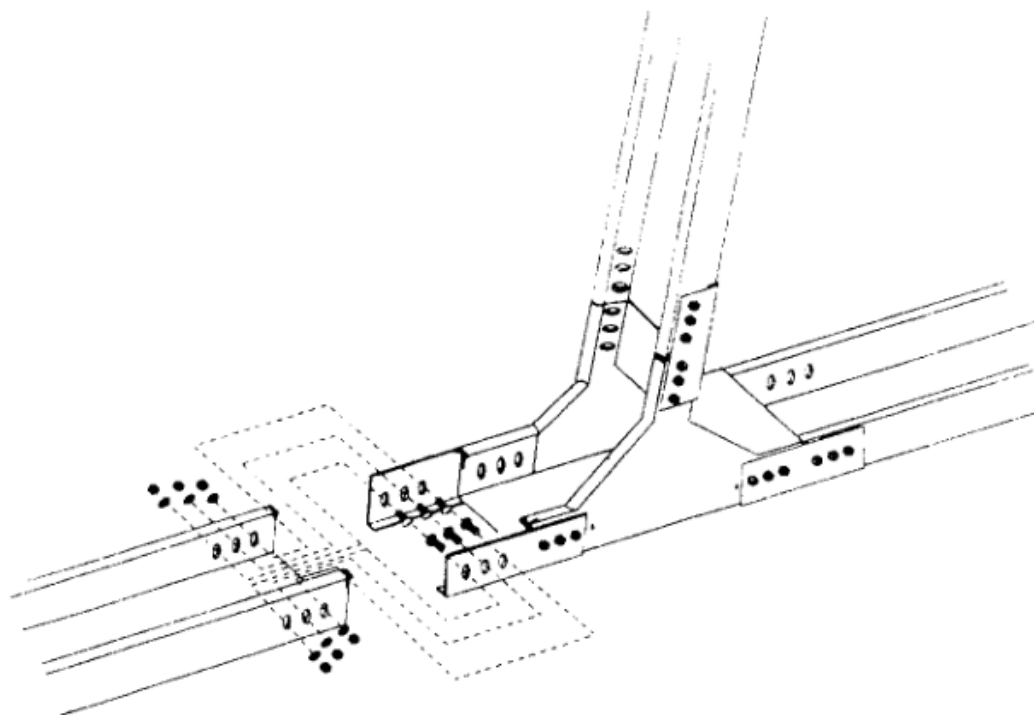


6、槽式下垂直三通安装示意图

型号:GDQJ-C-7 型

6, the installation diagram of the channel type downward Vertical three pass

Type: GDQJ-C-7 type

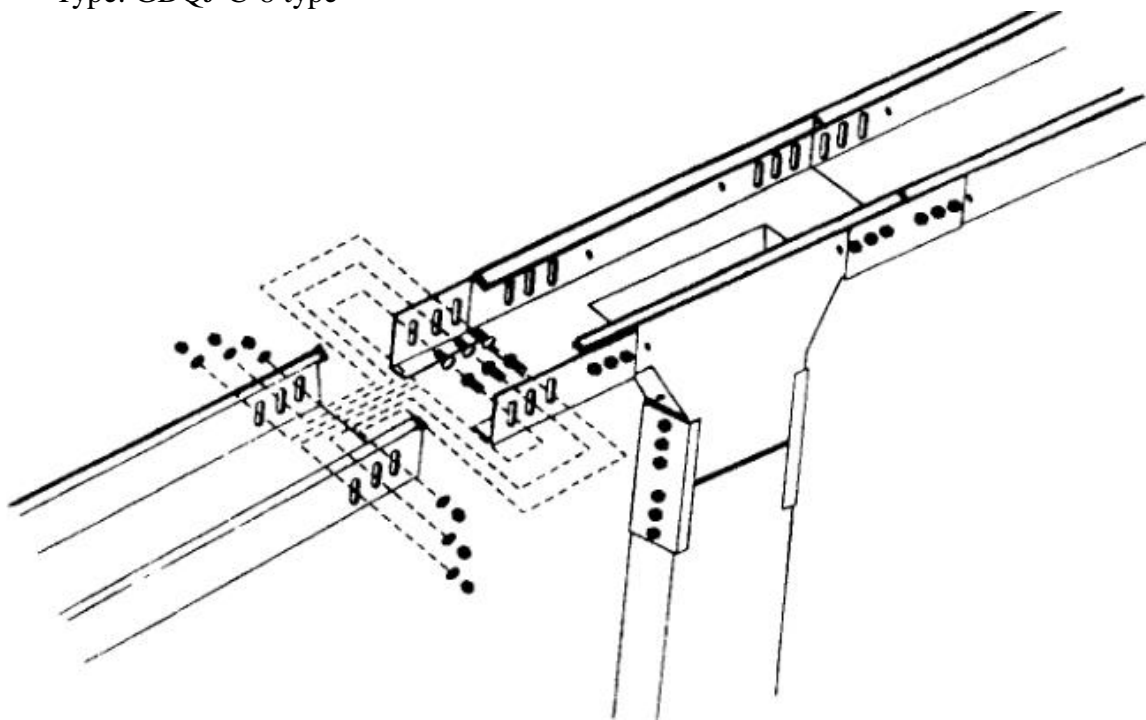


7、槽式上边垂直三通安装示意图

型号:GDQJ-C-8 型

7, the installation diagram of the channel type upward side Vertical three pass

Type: GDQJ-C-8 type

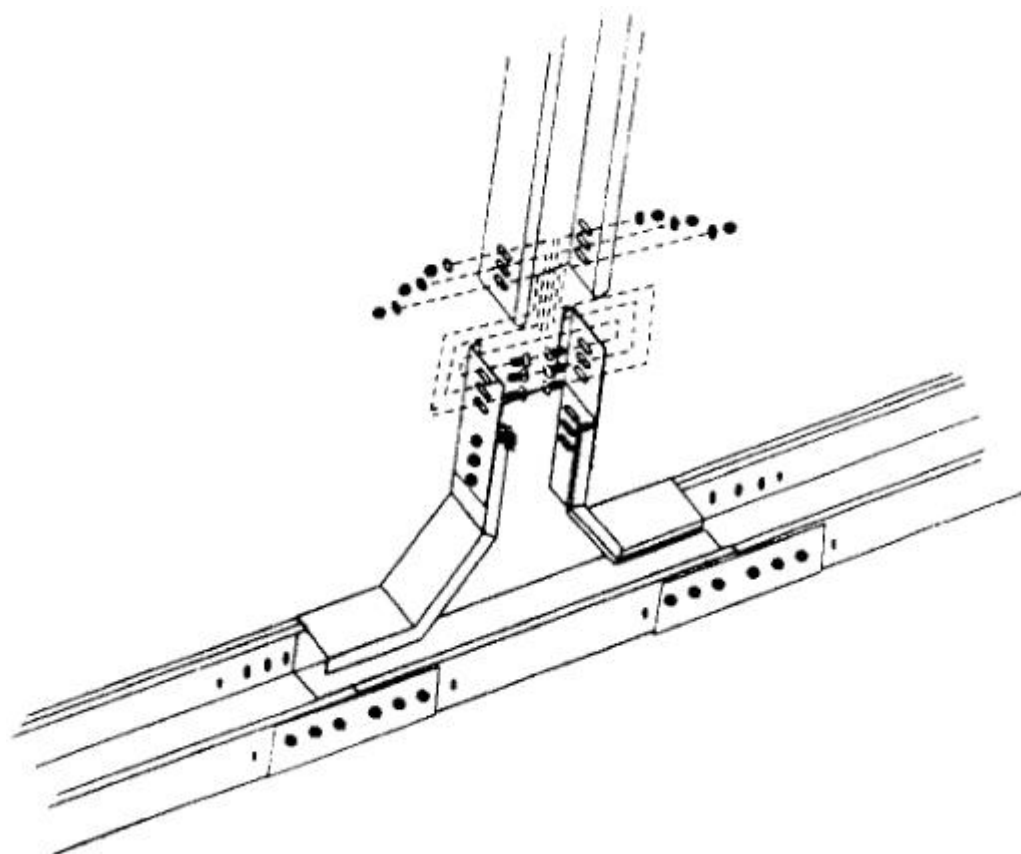


8、槽式下边垂直三通安装示意图

型号:GDQJ-C-9 型

8, the installation diagram of the channel type downward side Vertical three pass

Type: GDQJ-C-9 type

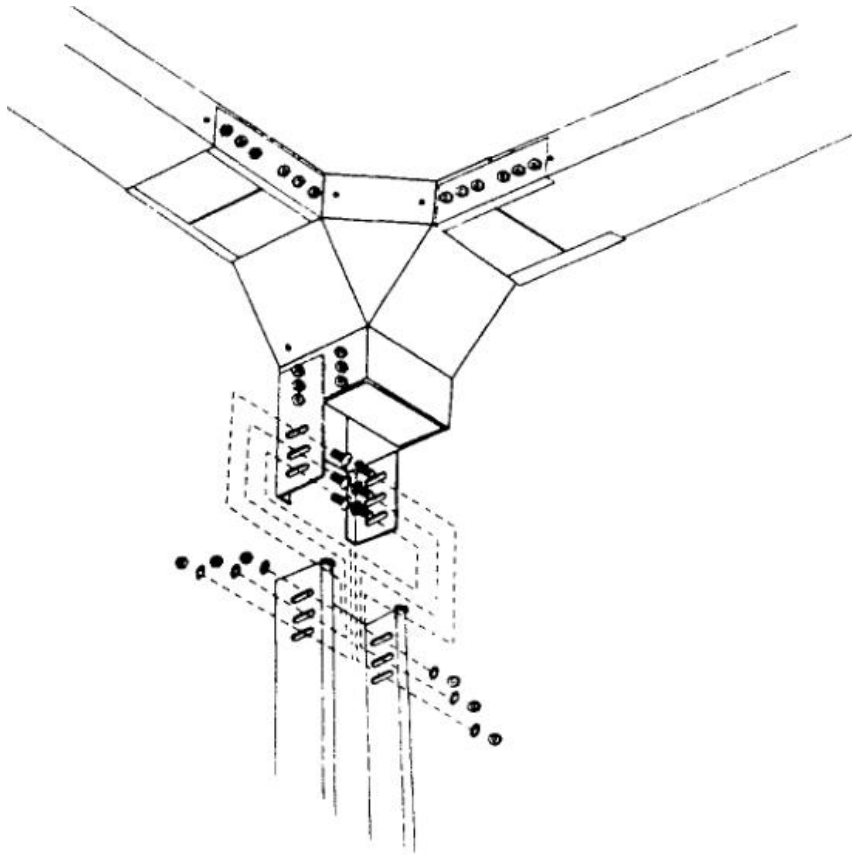


9、槽式上角垂直三通安装示意图

型号:GDQJ-C-8 型

9, the installation diagram of the channel type upward corner Vertical three pass

Type: GDQJ-C-8 type

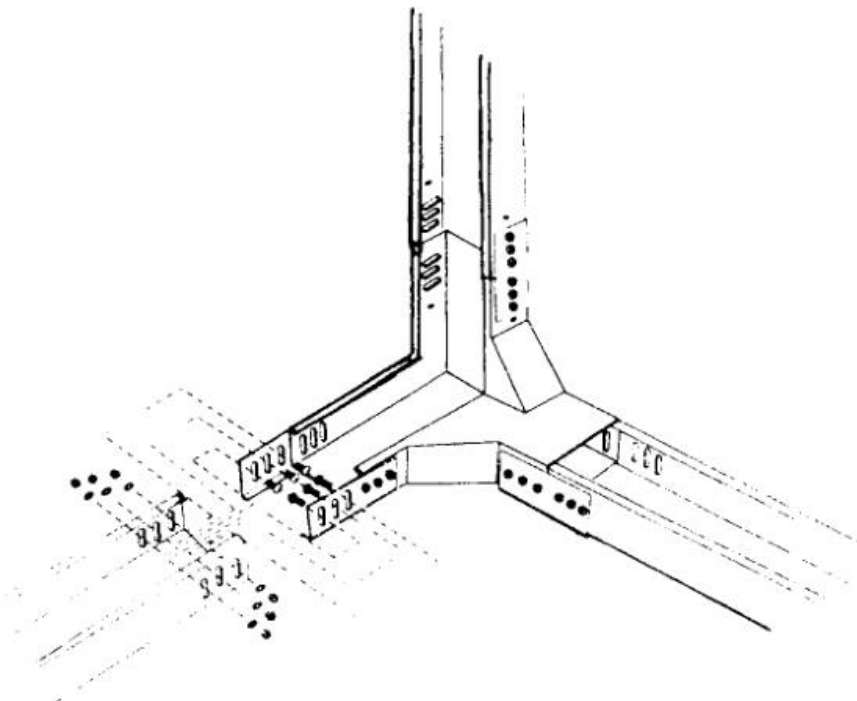


10、槽式下角垂直三通安装示意图

型号:GDQJ-C-9 型

10, the installation diagram of the channel type downward corner Vertical three pass

Type: GDQJ-C-9 type

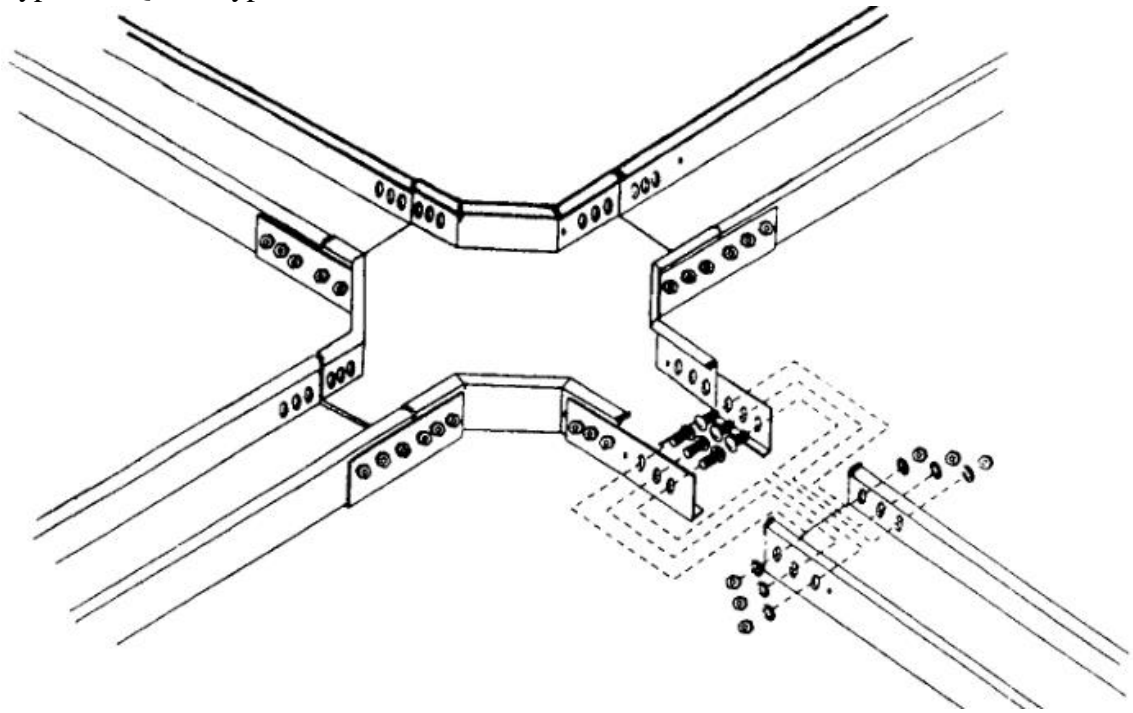


11、槽式水平四通安装示意图

型号：GDQJ-C-4 型

11, the installation diagram of the channel type horizontal Cross

Type: GDQJ-C-4type

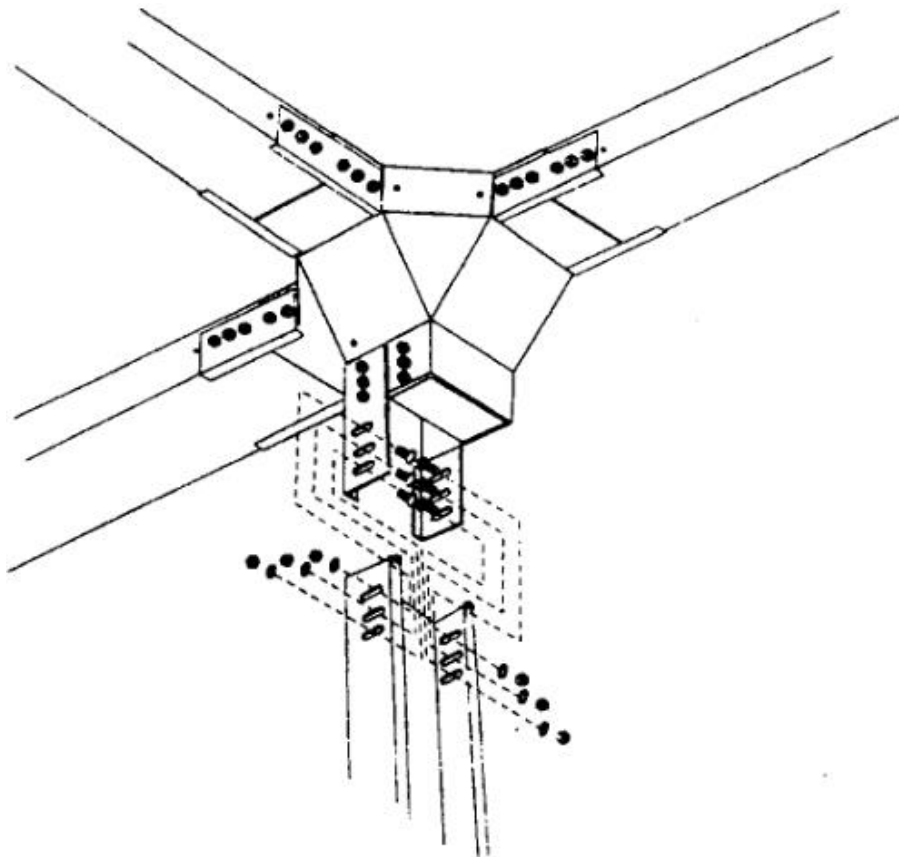


12、槽式垂直四通安装示意图

型号：GDQJ-C-16 型

12, the installation diagram of the channel type Vertical Cross

Type: GDQJ-C-16 type

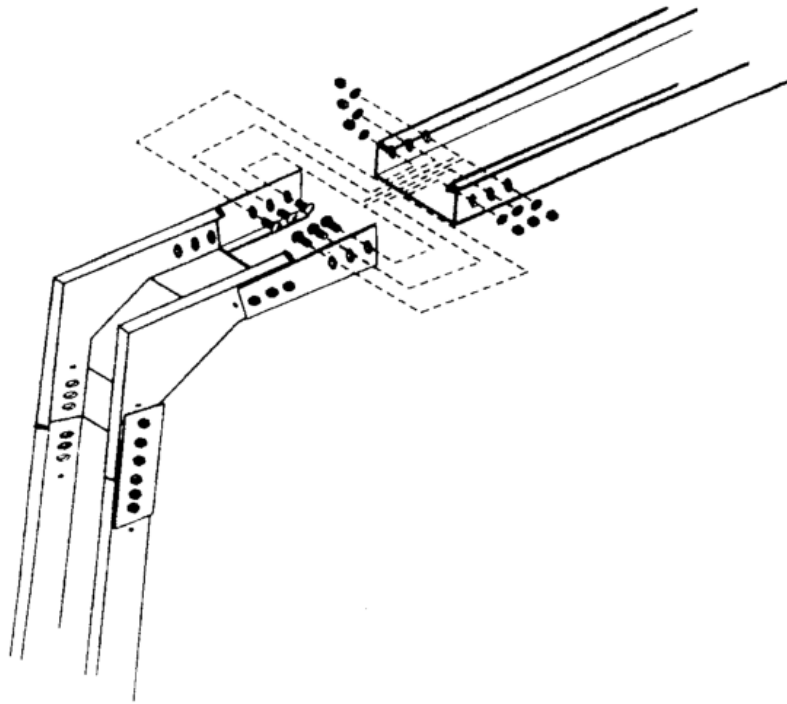


13、槽式垂直上弯通安装示意图

型号:GDQJ-C-5A 型

13, the installation diagram of the channel type Vertical upward bend

Type: GDQJ-C-5A type

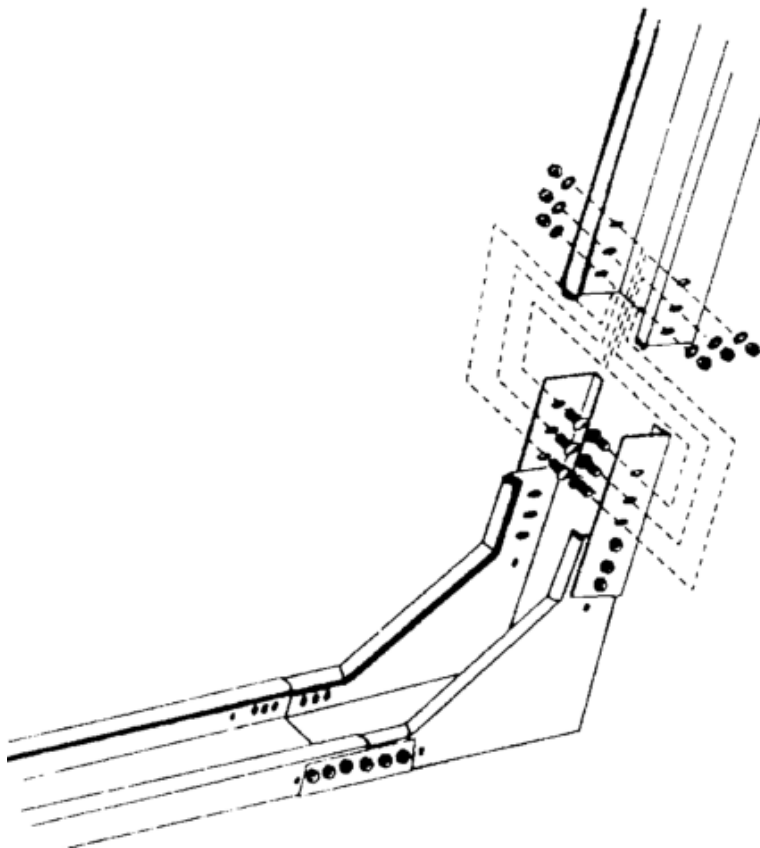


14、槽式垂直下弯通安装示意图

型号:GDQJ-C-5B 型

14, the installation diagram of the channel type Vertical downward bend

Type: GDQJ-C-5B type

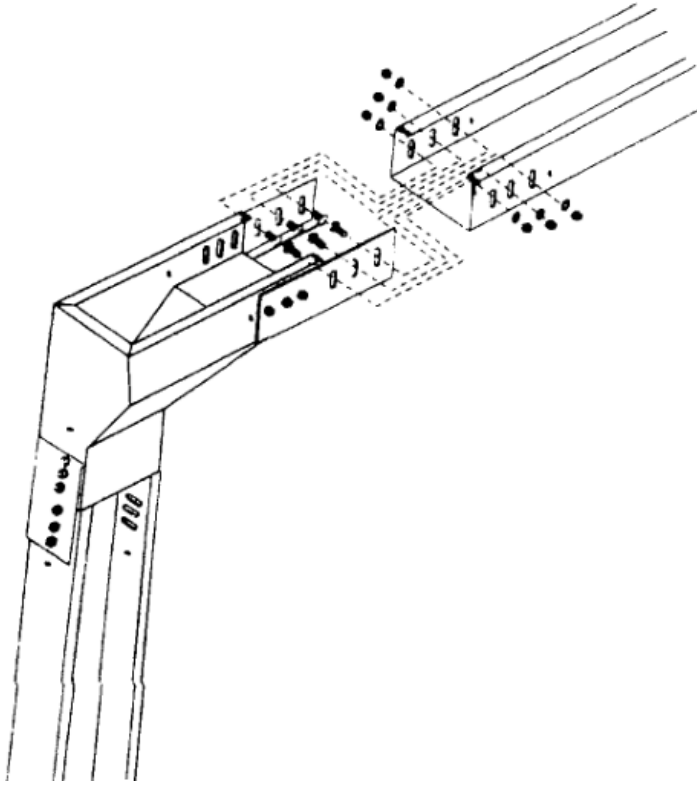


15、槽式垂直左上弯通安装示意图

型号:GDQJ-C-10 型

15, the installation diagram of the channel type Vertical left upward bend

Type: GDQJ-C-14 type

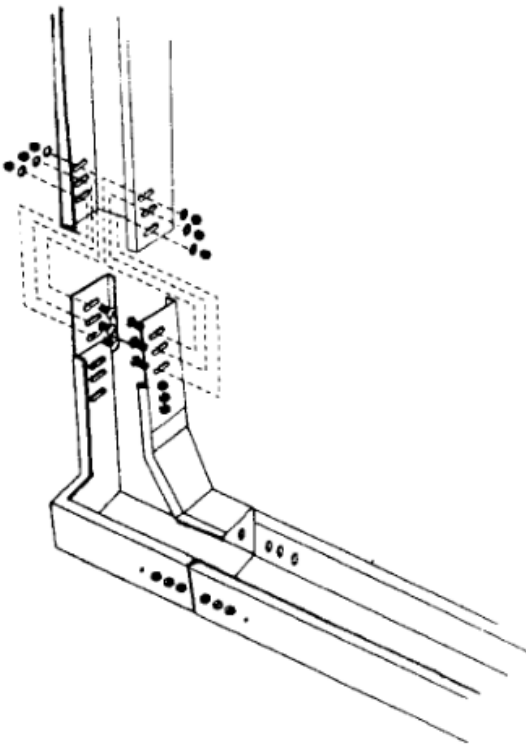


16、槽式垂直左下弯通安装示意图

型号:GDQJ-C-12 型

16, the installation diagram of the channel type Vertical left downward bend

Type: GDQJ-C-15 type

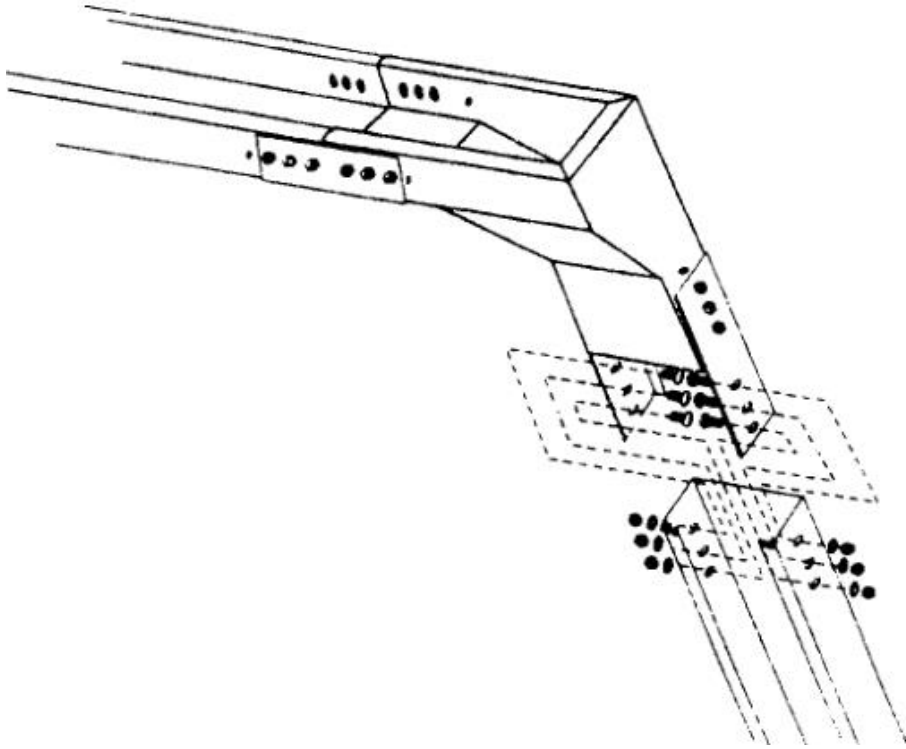


17、槽式垂直右上弯通安装示意图

型号:GDQJ-C-11 型

17, the installation diagram of the channel type Vertical right upward bend

Type: GDQJ-C-11 type

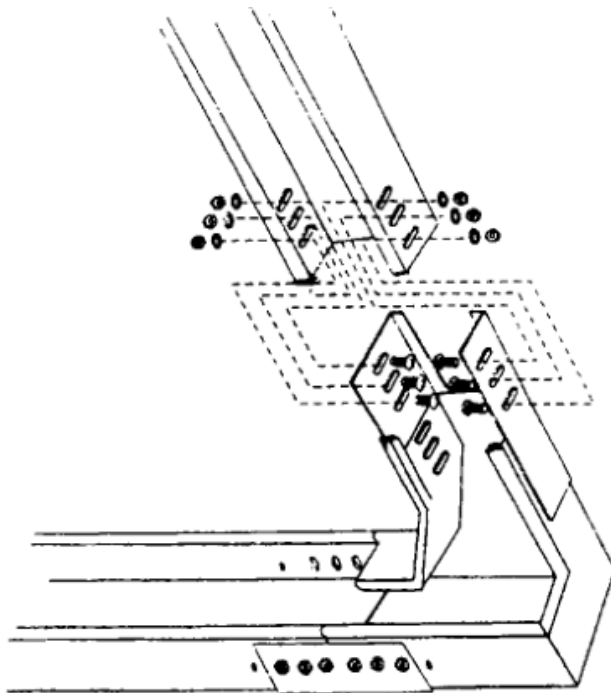


18、槽式垂直右下弯通安装示意图

型号:GDQJ-C-13 型

18, the installation diagram of the channel type Vertical right downward bend

Type: GDQJ-C-13 type

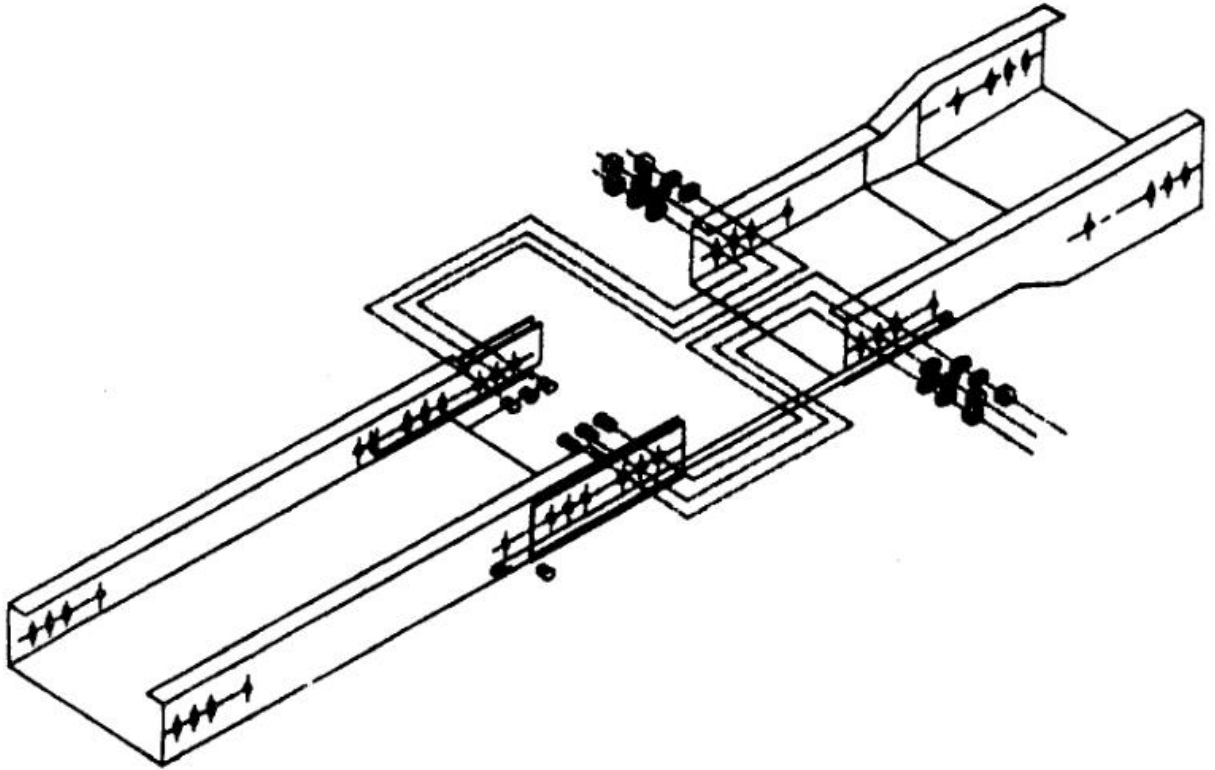


19、槽式异径接头安装示意图

型号：GDQJ-C-1B 型

19、 the installation diagram of the channel type sketch map

Type: GDQJ-C-1B type

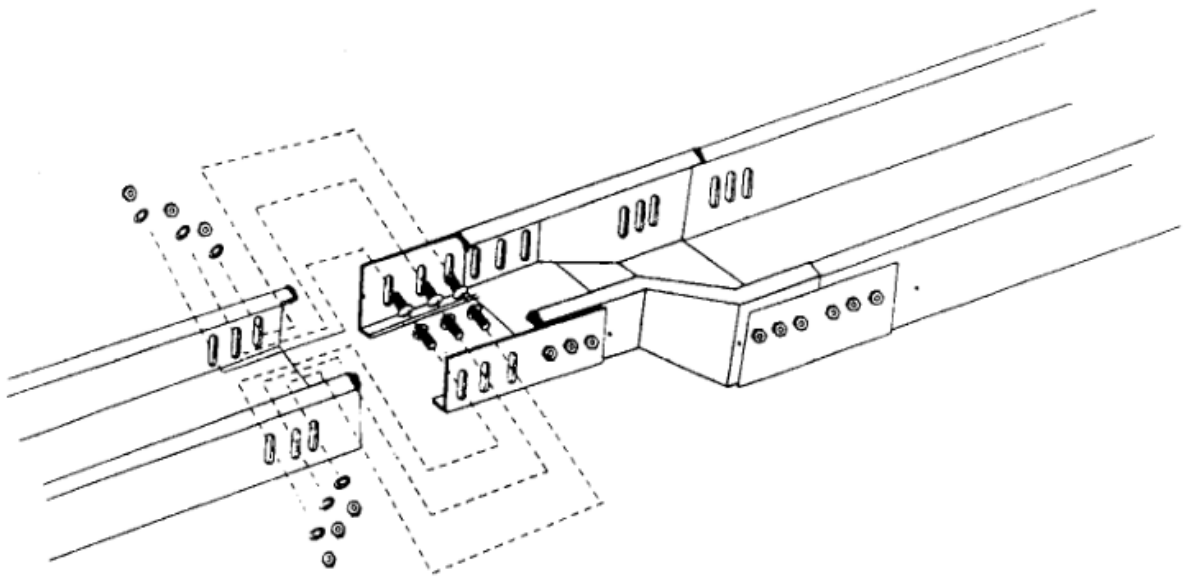


20、槽式异径接头安装示意图

型号：GDQJ-C-1C 型

20、 the installation diagram of the channel type sketch map

Type: GDQJ-C-1C type

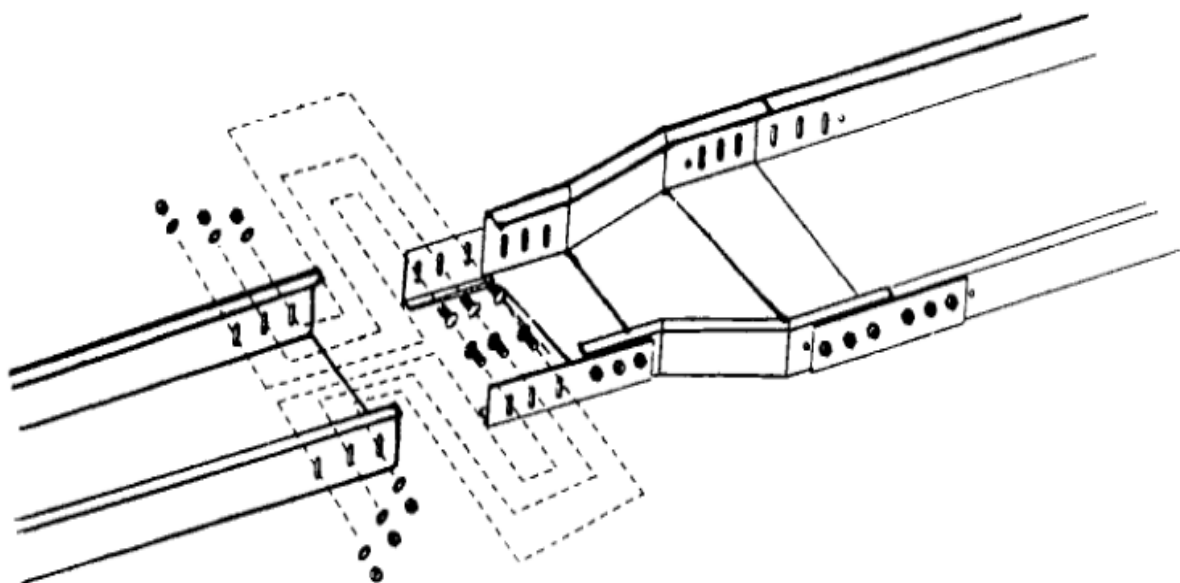


21、槽式异径接头安装示意图

型号：GDQJ-C-1D 型

21、 the installation diagram of the channel type sketch map

Type: GDQJ-C-1Dtype

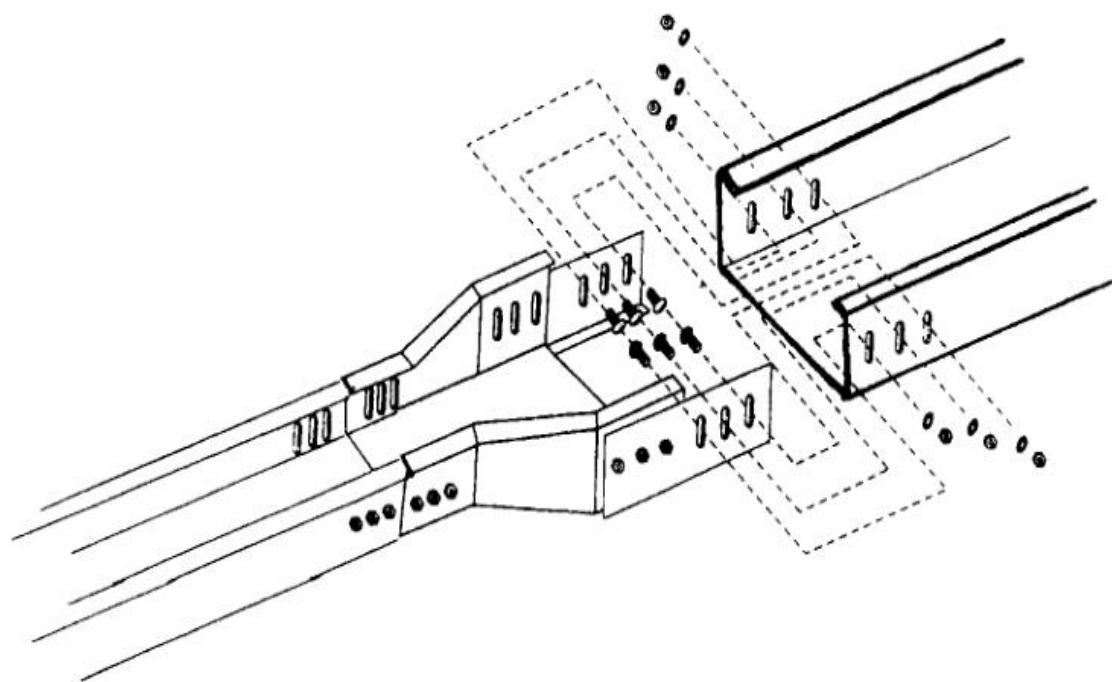


22、槽式异径接头安装示意图

型号：GDQJ-C-1E 型

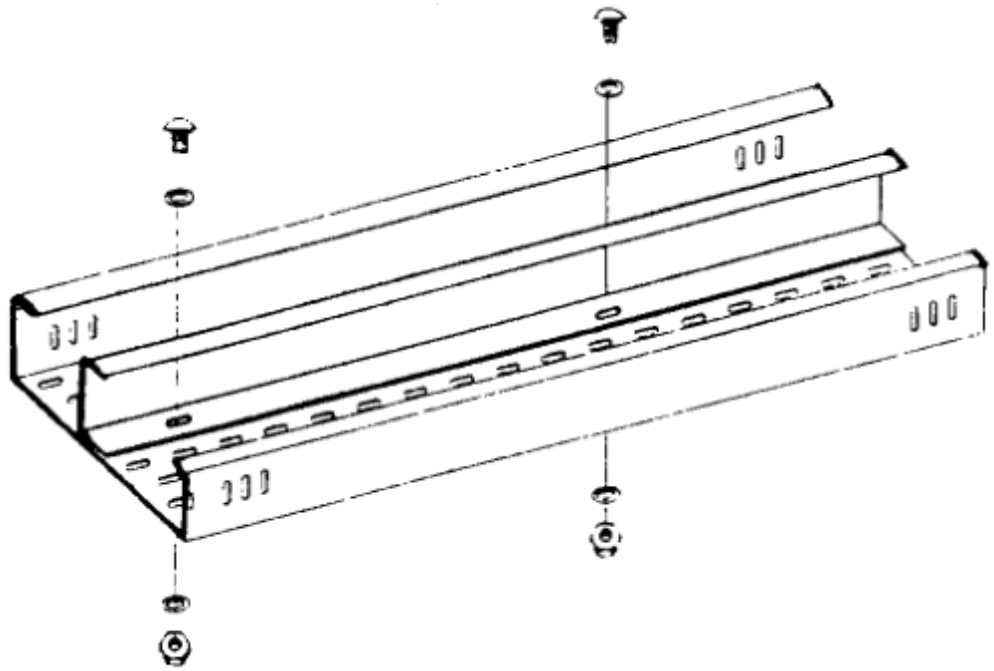
22、 the installation diagram of the channel type sketch map

Type: GDQJ-C-1Etype



23、隔板在桥架上的安装

23, installed on the bridge on the bulkhead



注：隔板在槽式、梯式桥架中都同样使用。

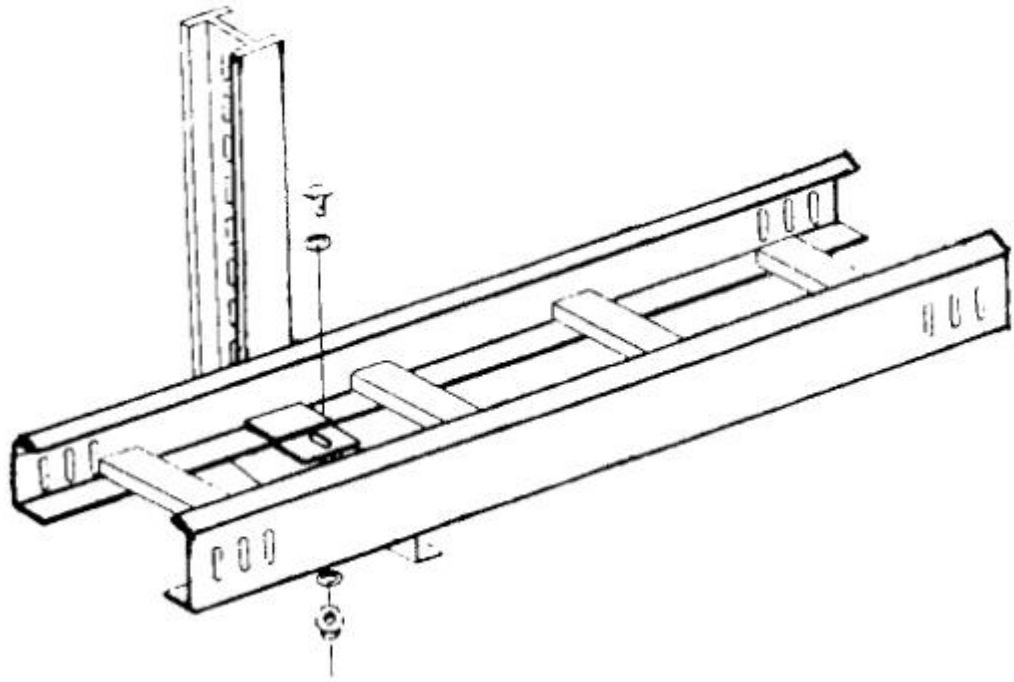
Note: the spacers are used in the same slot, ladder in.

24 固定压板与桥架安装

主要用于梯级式桥架与托臂压固及梯级式桥架垂直安装时与墙壁固定。

Fixed plate and bridge installation

Mainly used for the ladder type of cable tray and the fixed pressure and vertical installation of the ladder type of cable tray is fixed on the wall.

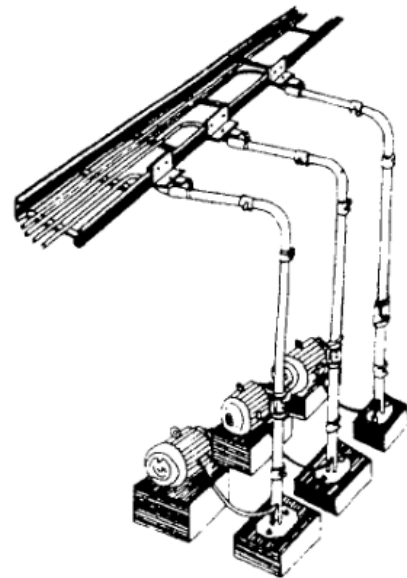
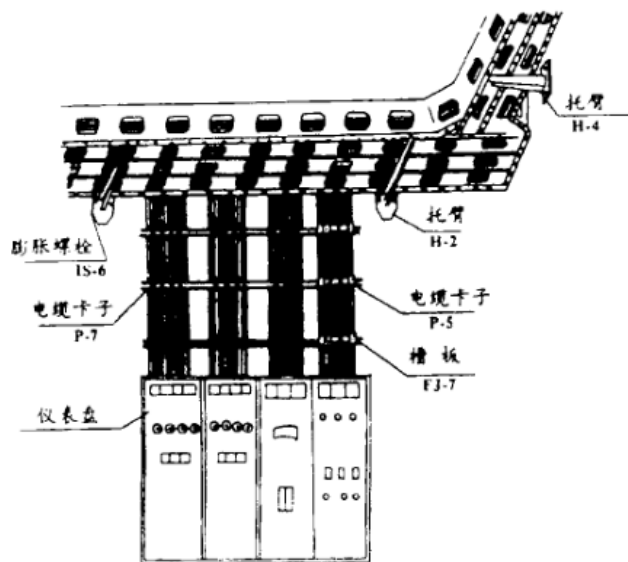


GDQJ-GYX(F)型引下装置

图例 1

GDQJ-GYX (F) type lead down device

Legend 1

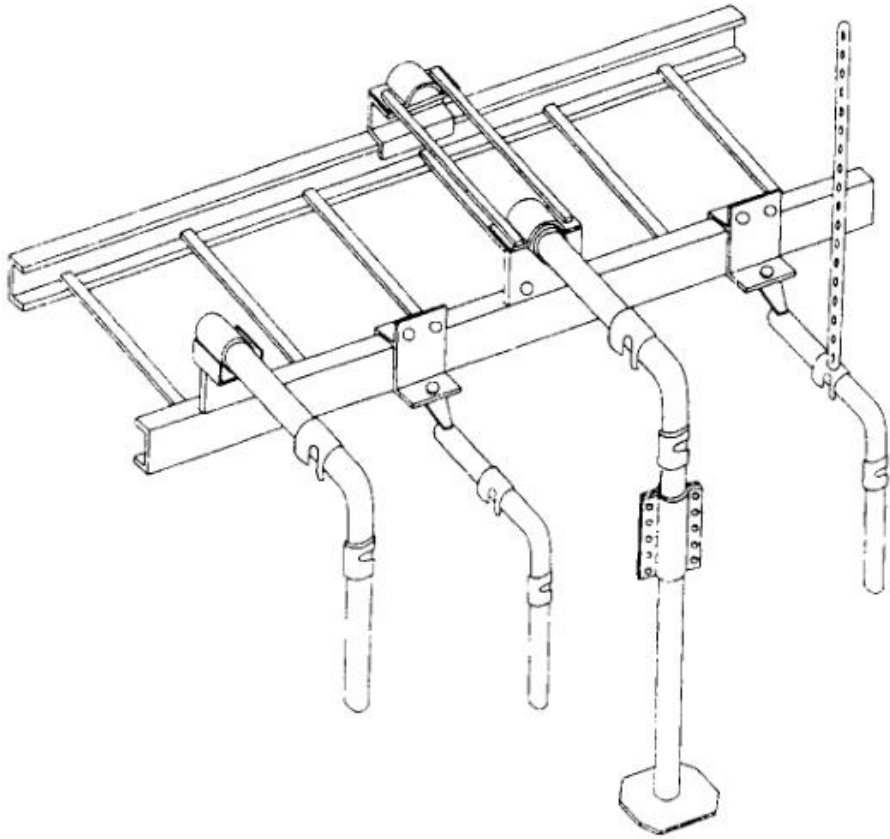


GDQJ-GYX(F)型引下装置

图例 2

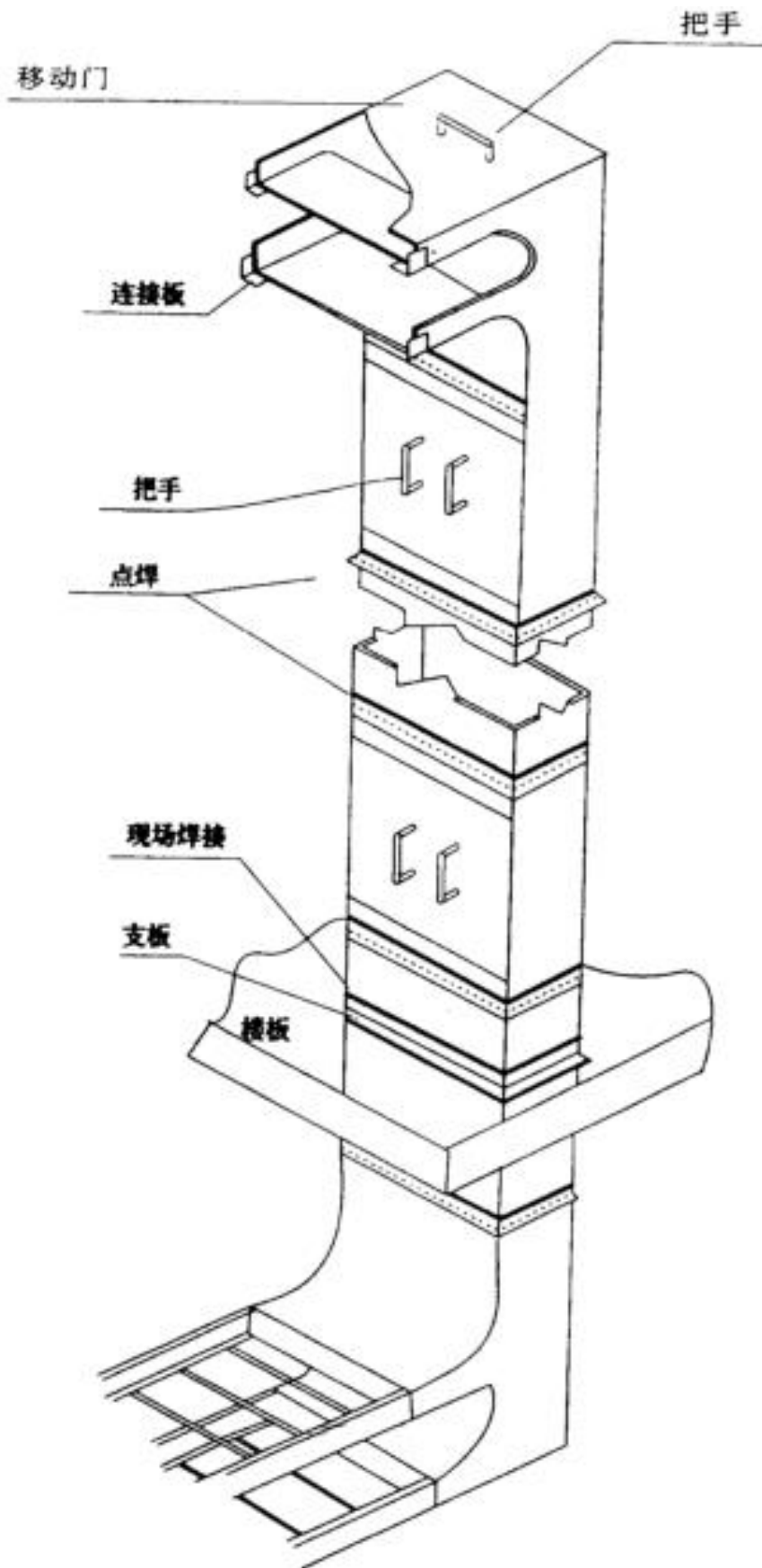
GDQJ-GYX (F) type lead down device

Legend 2



电缆竖井安装示意图

the installation diagram of the cable shaft



电缆竖井安装示意图

the installation diagram of the cable shaft

